



# Mini Lathe Stand

Model: 70-910

# Stand Extension

Model: 70-913



Shown with Optional Extension

Record the date of purchase in your manual for future reference.

Date of purchase: \_\_\_\_\_

For more information:  
[www.rikontools.com](http://www.rikontools.com) or [info@rikontools.com](mailto:info@rikontools.com)

For Parts or Questions:  
[techsupport@rikontools.com](mailto:techsupport@rikontools.com) or 877-884-5167

## Safety Warning

**IMPORTANT!** Safety is the single most important consideration in the operation of this equipment. **The following instructions must be followed at all times.**

There are certain applications for which this tool was designed. We strongly recommend that this tool not be modified and/or used for any other application other than that for which it was designed. If you have any questions about its application, do not use the tool until you have contacted us and we have advised you.

### General Safety Warnings

**KNOW YOUR POWER TOOL.** Read the owner's manual carefully. Learn the tool's applications, work capabilities, and its specific potential hazards.

**▲ DANGER**

**ALWAYS GROUND ALL TOOLS.**

If your tool is equipped with a three-pronged plug, you must plug it into a three-hole electric receptacle. If you use an adapter to accommodate a two-pronged receptacle, you must attach the adapter plug to a known ground. Never remove the third prong of the plug.



**ALWAYS AVOID DANGEROUS ENVIRONMENTS.**

Never use power tools in damp or wet locations. Keep your work area well lighted and clear of clutter.

**▲ DANGER**

**ALWAYS REMOVE THE ADJUSTING KEYS AND WRENCHES FROM TOOLS AFTER USE.**

Form the habit of checking to see that keys and adjusting wrenches are removed from the tool before turning it on.



**ALWAYS KEEP YOUR WORK AREA CLEAN.** Cluttered areas and benches invite accidents.

**▲ DANGER**

**ALWAYS KEEP VISITORS AWAY FROM RUNNING MACHINES.**

All visitors should be kept a safe distance from the work area.



**ALWAYS MAKE THE WORKSHOP CHILDPROOF.**

**Childproof** with padlocks, master switches, or by removing starter keys.

**▲ DANGER**

**NEVER OPERATE A TOOL WHILE UNDER THE INFLUENCE OF DRUGS, MEDICATION, OR ALCOHOL.**



**▲ DANGER**

**ALWAYS WEAR PROPER APPAREL.**

Never wear loose clothing or jewelry that might get caught in moving parts. Rubber-soled footwear is recommended for the best footing.



**▲ DANGER**

**ALWAYS USE SAFETY GLASSES AND WEAR HEARING PROTECTION.**

Also use a face or dust mask if the cutting operation is dusty.



**▲ DANGER**

**NEVER OVERREACH.**

Keep your proper footing and balance at all times.



**▲ DANGER**

**NEVER STAND ON TOOLS.**

Serious injury could occur if the tool is tipped or if the cutting tool is accidentally contacted.



**⚠ DANGER****ALWAYS DISCONNECT TOOLS.**

Disconnect tools before servicing and when changing accessories such as blades, bits, and cutters.

**ALWAYS AVOID ACCIDENTAL STARTING.**

Make sure switch is in "OFF" position before plugging in cord.

**NEVER LEAVE TOOLS RUNNING UNATTENDED.****⚠ DANGER****ALWAYS CHECK FOR DAMAGED PARTS.**

Before initial or continual use of the tool, a guard or other part that is damaged should be checked to assure that it will operate properly and perform its intended function. Check for alignment of moving parts, binding of moving parts, breakage of parts, mounting, and any other conditions that may affect its operation. A guard or other damaged parts should immediately be properly repaired or replaced.



### Special Safety Rules For Lathes

1. Do not operate this machine until you have read all of the following instructions.
2. Do not attempt to operate this machine until it is completely assembled.
3. Do not turn ON this machine if any pieces are missing.
4. If you are not familiar with the operation of the machine, obtain assistance from a qualified person.
5. It is highly recommended that this machine be firmly mounted to a flat and secure work surface.
6. Always wear protective eyewear prior to operating this machine.
7. Do not operate this machine if you are under the influence of drugs and/or alcohol.
8. Remove all jewelry prior to operating this machine.
9. Do not wear any gloves while operating this machine.
10. Always make sure the power switch is in the OFF position prior to plugging in the machine.
11. Always make sure the power switch is in the OFF position when doing any assembly or setup operation.
12. Always turn the power switch to the OFF position and let the work piece come to a complete stop prior to removal.
13. Use only sharp lathe tools.
14. The use of any accessories or attachments not recommended may cause injury to you and damage your machine.
15. This machine must be properly grounded.
16. When turning between centers, make sure headstock and tailstock are snug against work piece.
17. When face plate turning, rough-cut work piece close to the finished shape before screwing to face plate.
18. Never jam tools into work piece or take too big a cut.
19. Do not operate this machine without following all these instructions.
20. Keep these instructions for future reference.

**SAVE THESE INSTRUCTIONS.**

**Refer to them often.**

## Table of Contents

|  |    |
|--|----|
| Safety Warnings.....   | 2  |
| Lathe Safety Rules.....  | 3  |
| Specifications.....  | 4  |
| Unpacking and Contents.....                                    | 5  |
| Assembling Base to Column.....                                 | 6  |
| Installing Extension Supports to Base and Column Assembly..... | 6  |
| Connecting and Adjusting the Extension Supports.....           | 7  |
| Adjustments.....   | 7  |
| Determining Proper Lathe Height.....                           | 7  |
| Adjusting for Lathe Length.....                                | 8  |
| Leveling the Lathe Stand.....                                  | 8  |
| Installing the Optional Lathe Stand Extension.....             | 8  |
| Maintenance.....   | 9  |
| Explosion Diagram for the Lathe Stand.....                     | 10 |
| Parts List for the Lathe Stand.....                            | 10 |
| Explosion Diagram for the Stand Extension.....                 | 11 |
| Parts List for the Stand Extension.....                        | 11 |
| Warranty.....  | 12 |
| Notes.....   | 13 |

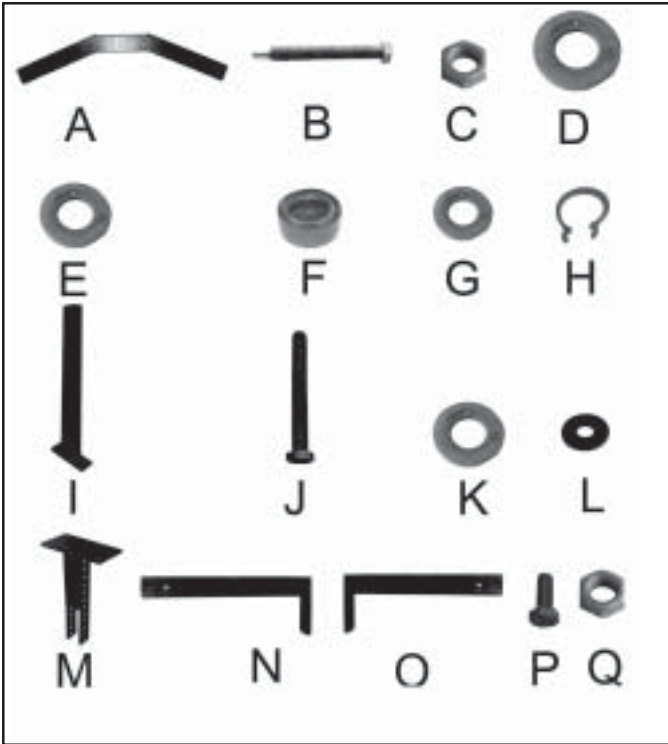
## Specifications

|                       |                      |
|-----------------------|----------------------|
| Model Number          | 70-910               |
| Width                 | 6" to 7-11/16"       |
| Length                | 19-11/16" to 31-7/8" |
| Length With Extension | 39-3/8" to 63-3/4"   |
| Working Height        | 24-1/2" to 34-1/2"   |
| Base Length           | 27-3/8" to 39-3/8"   |
| Base Width            | 24-1/4"              |
| Weight Capacity       | 220lbs               |

## Contents of Package

### Unpacking and Checking Contents


Unpack your lathe stand from its carton and check to see that you have all of the following items. Do not use this stand if any of these items are missing. You may cause injury to yourself or damage to your machine.



### Carton Contents

| Item | Description                      | Qty |
|------|----------------------------------|-----|
| A    | Base.....                        | 2   |
| B    | Hex. Bolt M12x96.....            | 4   |
| C    | Hex Nut M12.....                 | 4   |
| D    | Washer 13.....                   | 4   |
| E    | Washer 8.5.....                  | 4   |
| F    | Foot.....                        | 4   |
| G    | Washer 8.5.....                  | 4   |
| H    | Retaining Ring 8.....            | 4   |
| I    | Column.....                      | 2   |
| J    | Hex Bolt M10x80.....             | 12  |
| K    | Washer 10.5.....                 | 24  |
| L    | Hex Nut M10.....                 | 12  |
| M    | Mounting Bracket.....            | 2   |
| N    | Extension Support (Outside)..... | 1   |
| O    | Extension Support (Inside).....  | 1   |
| P    | Hex. Bolt M10x25.....            | 2   |
| Q    | Hex. Nut M10.....                | 2   |

### Tools Required for Assembly

| Item  | Description           |
|---|-----------------------|
|  | 2 Adjustable Wrenches |

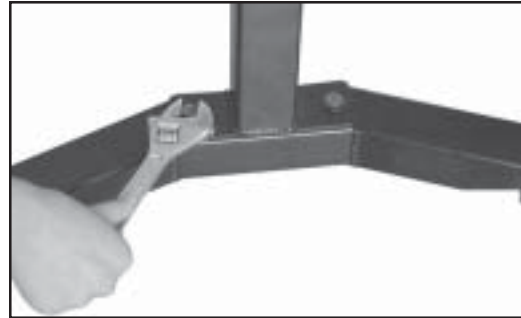
### Unpacking and Clean-up

1. Carefully finish removing all contents from shipping cartons. Compare contents of the shipping cartons with the list of contents above. Place parts on a protected surface.
2. Report any shipping damage to your local distributor.
3. Set packing material and shipping cartons to the side. **Do not discard carton** until the stand has been set up.

# Assembly

## Assembling Base to Column

- 1.) Locate one Base (part #1) and one Column (part #9).
- 2.) Install two bolts (part #10) and two washers (part #11) through the Column flange and into the Base.
- 3.) Add two washers (part #11) and two hex nuts (part #12) to the bolts underneath the Base. (Fig. 01)
- 4.) Repeat steps to complete the second Base and Column assembly.



**Fig.01**

## Installing Extension Supports to Base and Column Assembly

- 1.) Make sure that feet of both base and column assemblies are pointing outward.
- 2.) Assemble the Inside Extension Support bracket (part #15) to the inside of the left Base and Column assembly. Install two bolts (part #10) and two washers (part #11) through the Column and into the Inside Extension Support bracket flange. Add two washers (part #11) and two hex nuts (part #12) to the bolts through the flange of the Inside Extension Support bracket. (Fig. 02)
- 3.) Assemble the Outside Extension Support bracket (part #14) to the inside of the right Base and Column assembly. Install two bolts (part #10) and two washers (part #11) through the Column and into the Outside Extension Support bracket flange. Add two washers (part #11) and two hex nuts (part #12) to the bolts through the flange of the Outside Extension Support bracket. (Fig. 03)



**Fig.02**



**Fig.03**

## Connecting and Adjusting the Extension Supports

- 1.) Slip the Inside Extension Support bracket (part #15) into the Outside Extension Support bracket (part #14).
- 2.) Add two bolts (part #16) and two hex nuts (part #17) to the welded hex nuts located on the Outside Extension Support bracket (part #14). (Fig. 04)
- 3.) Only hand-tighten at this point, secure after the length of the mini-lathe has been determined.



**Fig.04**

## Adjustments

### Determining Proper Lathe Height

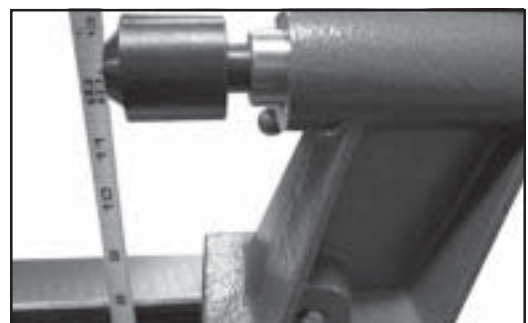
- 1.) Install the Mounting Brackets (part #13) to the top of both Columns (part #9) using two bolts (part #10) and two washers (part #11). (Fig. 05)

Add two washers (part #11) and two hex nuts (part #12) to the bolts. Hand-tighten at this point until proper lathe height has been determined.

- 2.) Next, measure the distance from the base of the lathe to the point on the live center. (Fig. 06)
- 3.) Measure the distance from your elbow to the floor.
- 4.) Subtract the lathe height measurement from the elbow height measurement. This number represents the approximate height of the lathe stand.  
Example: 45" (elbow to floor) - 12.5" (base to live center) = 32.5" (stand height).



**Fig.05**



**Fig.06**

## Adjusting for Lathe Length

The RIKON Lathe Stand can be adjusted from 19-11/16" to 31-7/8" in length.

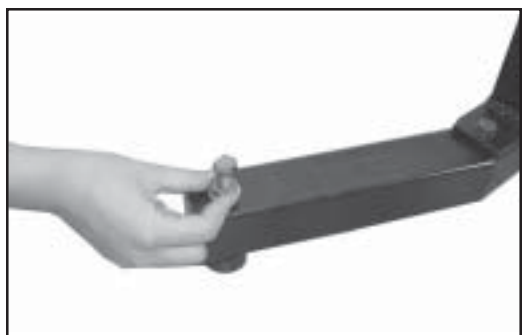
- 1.) Measure the length of your lathe from center of one bolt hole to the center of the other.
- 2.) Loosen the two locking bolts (part #16) on the Outside Extension Support (part# 14) and slide the Column Supports inward or outward to the desired length.
- 3.) Tighten the two locking bolts (part #16) and then tighten the two locking nuts (part #17). (Fig. 07)



**Fig.07**

## Leveling the Lathe Stand

- 1.) Loosen the locking nut (part # 3) on the Base assembly.
- 2.) Adjust the leveling bolt (part # 2) to the desired height.
- 3.) Tighten down the locking nut (part # 3) to retain the adjustment. (Fig. 08)



**Fig.08**

## Optional Stand Extension 70-913

### Installing the Optional Lathe Stand Extension

The Lathe Stand Extension is typically used to support a lathe bed extension. However, it has a variety to other uses such as supporting an accessory table (not included) to hold a grinder or sharpening system.

- 1.) Repeat the steps in "Assembling Base to Column" located on page 6.
- 2.) Repeat the steps in "Installing Extension Supports to Base and Column Assembly" also on page 6.
- 3.) Loosen and remove the two hex nuts (part #12) and the two washers (part #11) from the Column Support on the right side.
- 4.) Install the Inside Extension Support bracket (part #15) to the Column Support. (Fig. 09)



**Fig.09**

- 5.) Repeat the steps in “Connecting and Adjusting the Extension Supports” located on page 7.
- 6.) Repeat the steps in “Determining Proper Lathe Height” also on page 7.
- 7.) Next, adjust for lathe bed distance, following the instructions in “Adjusting for Lathe Length” located on page 8.
- 8.) Mount the lathe extension to the stand by using the hardware provided. (Fig. 10)
- 9.) Level the Stand Extension by following the instructions found on page 8.



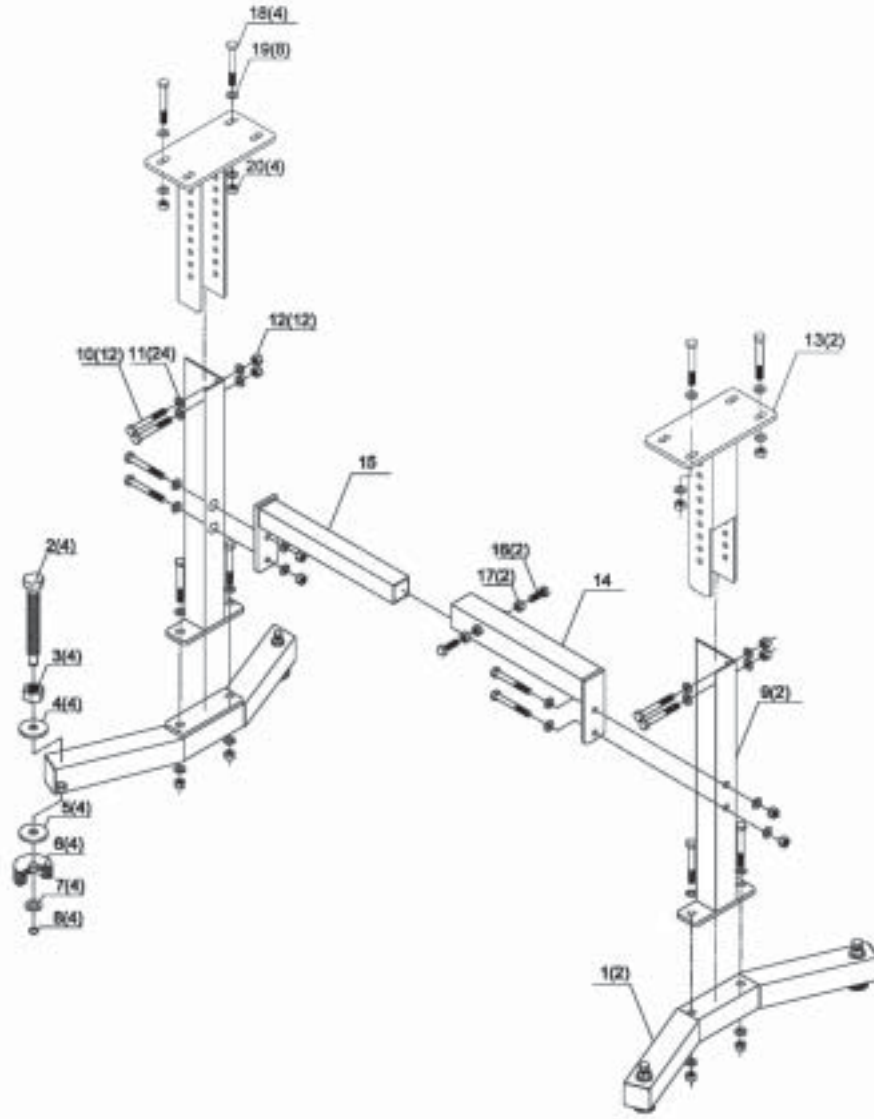
**Fig.10**

## Maintenance

**CAUTION! BEFORE CLEANING OR CARRYING OUT MAINTENANCE WORK, DISCONNECT THE LATHE FROM THE POWER SOURCE (WALL SOCKET). NEVER USE WATER OR WATER BASED PRODUCTS TO CLEAN THE LATHE STAND.**

Periodically check all of the stand bolts and tighten when necessary.  
Make sure that the lathe stand is level.  
Remove all saw dust and chips from the lathe stand after each use.

## Parts Explosion for the 70-910

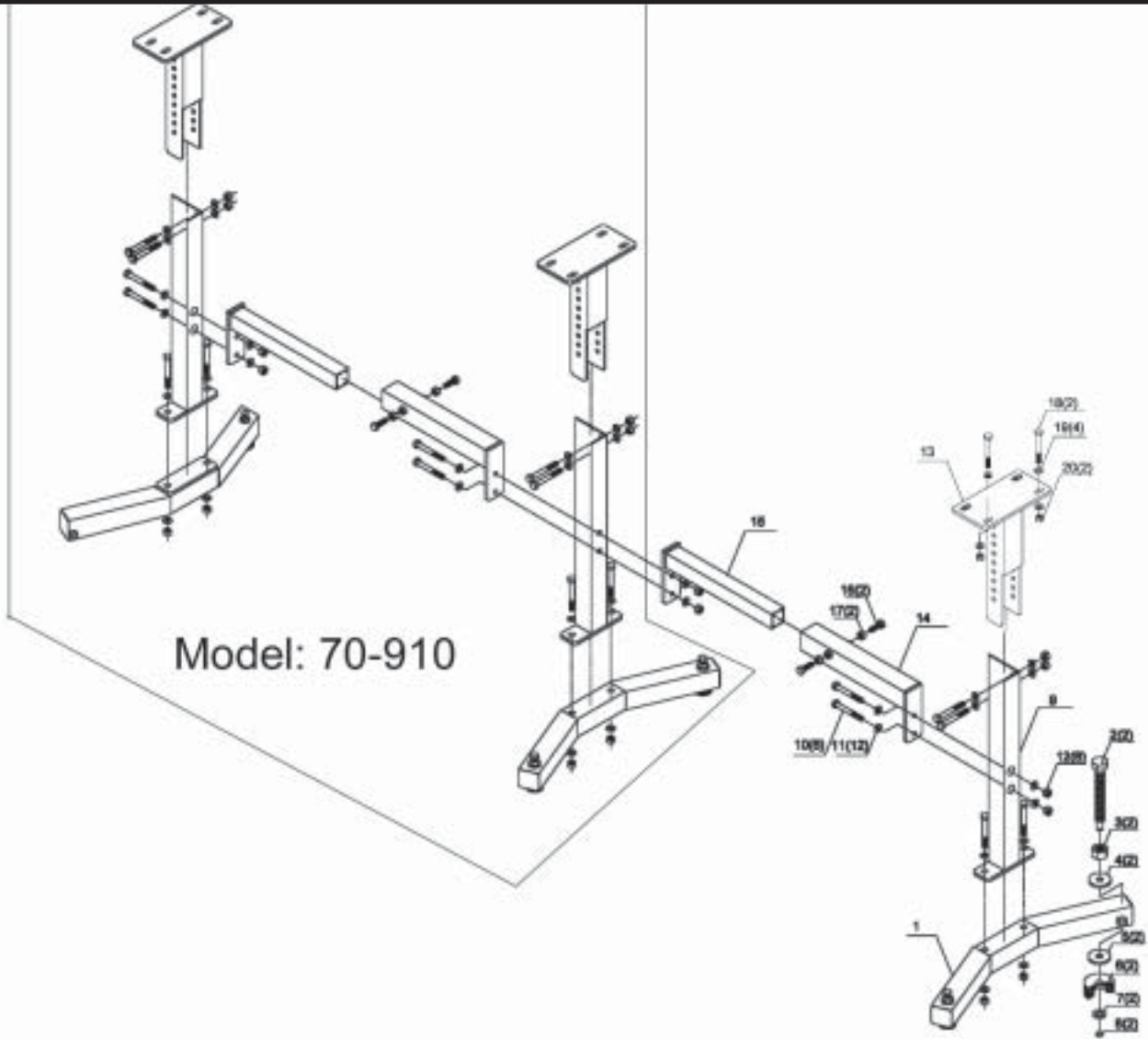


## Parts List for the 70-910

| Ref No. | Description      |
|---------|------------------|
| 1       | Base             |
| 2       | Hex. Bolt M12x96 |
| 3       | Hex. Nut M12     |
| 4       | Washer 13        |
| 5       | Washer 8.5       |
| 6       | Foot             |
| 7       | Washer 8.5       |
| 8       | Retaining Ring 8 |
| 9       | Column           |
| 10      | Hex. Bolt M10x80 |

| Ref No. | Description                 |
|---------|-----------------------------|
| 11      | Washer 10.5                 |
| 12      | Hex. Nut                    |
| 13      | Mount bracket               |
| 14      | Extension support (outside) |
| 15      | Extension support (inside)  |
| 16      | Hex. Bolt M10x25            |
| 17      | Hex. Nut                    |
| 18      | M8x35 Hex. Bolt             |
| 19      | 8mm Washer                  |
| 20      | M8 Hex. Nut                 |

## Parts Explosion for the 70-913



## Parts List for the 70-913

| Ref No. | Description      | Ref No. | Description                |
|---------|------------------|---------|----------------------------|
| 1       | Base             | 11      | Washer 10.5                |
| 2       | Hex. Bolt M12x96 | 12      | Hex. Nut M10               |
| 3       | Hex. Nut M12     | 13      | Mount bracket              |
| 4       | Washer 13        | 14      | Extension support(outside) |
| 5       | Washer 8.5       | 15      | Extension support(inside)  |
| 6       | Foot             | 16      | Hex. Bolt M10x25           |
| 7       | Washer 8.5       | 17      | Hex.Nut M10                |
| 8       | Retaining Ring 8 | 18      | M8x35 Hex. Bolt            |
| 9       | Column           | 19      | 8mm Washer                 |
| 10      | Hex. Bolt M10x80 | 20      | M8 Hex. Nut                |



### **2-Year Limited Warranty**

RIKON Power Tools/Richen Enterprise, Inc. (“Seller”) warrants to only the original retail consumer/purchaser of our products that each product be free from defects in materials and workmanship for a period of two (2) years from the date the product was purchased at retail. This warranty may not be transferred.

This warranty does not apply to defects due directly or indirectly to misuse, abuse, negligence, accidents, repairs, alterations, lack of maintenance or normal wear and tear. Under no circumstances will Seller be liable for incidental or consequential damages resulting from defective products. All other warranties, expressed or implied, whether of merchantability, fitness for purpose, or otherwise are expressly disclaimed by Seller. This warranty does not cover products used for commercial, industrial or educational purposes.

This limited warranty does not apply to accessory items such as blades, drill bits, sanding discs or belts and other related items.

Seller shall in no event be liable for death, injuries to persons or property, or for incidental, contingent, special, or consequential damages arising from the use of our products.

To take advantage of this warranty proof of purchase documentation, which includes date of purchase and an explanation of the complaint, must be provided.

The Seller reserves the right to effect at any time, without prior notice, those alterations to parts, fittings, and accessory equipment which they may deem necessary for any reason whatsoever.

To take advantage of this warranty, please fill out the enclosed warranty card and send it to:

RIKON Warranty  
400 West Cummings Park  
Suite 1000  
Woburn, MA 01801

The card must be entirely completed in order for it to be valid. If you have any questions please contact us at 877-884-5167 or [warranty@rikontools.com](mailto:warranty@rikontools.com).

## Notes:



**For more information:**  
400 West Cummings Park, Suite 1000  
Woburn, MA 01801

877-884-5167 / 781-933-8400  
techsupport@rikontools.com  
www.rikontools.com