

20" x 36" Woodfast Wood Lathe

Model: 70-500

RIKON POWER TOOLS



Woodfast Series

Record the serial number and date of purchase
in your manual for future reference.

Serial number: _____

Date of purchase: _____

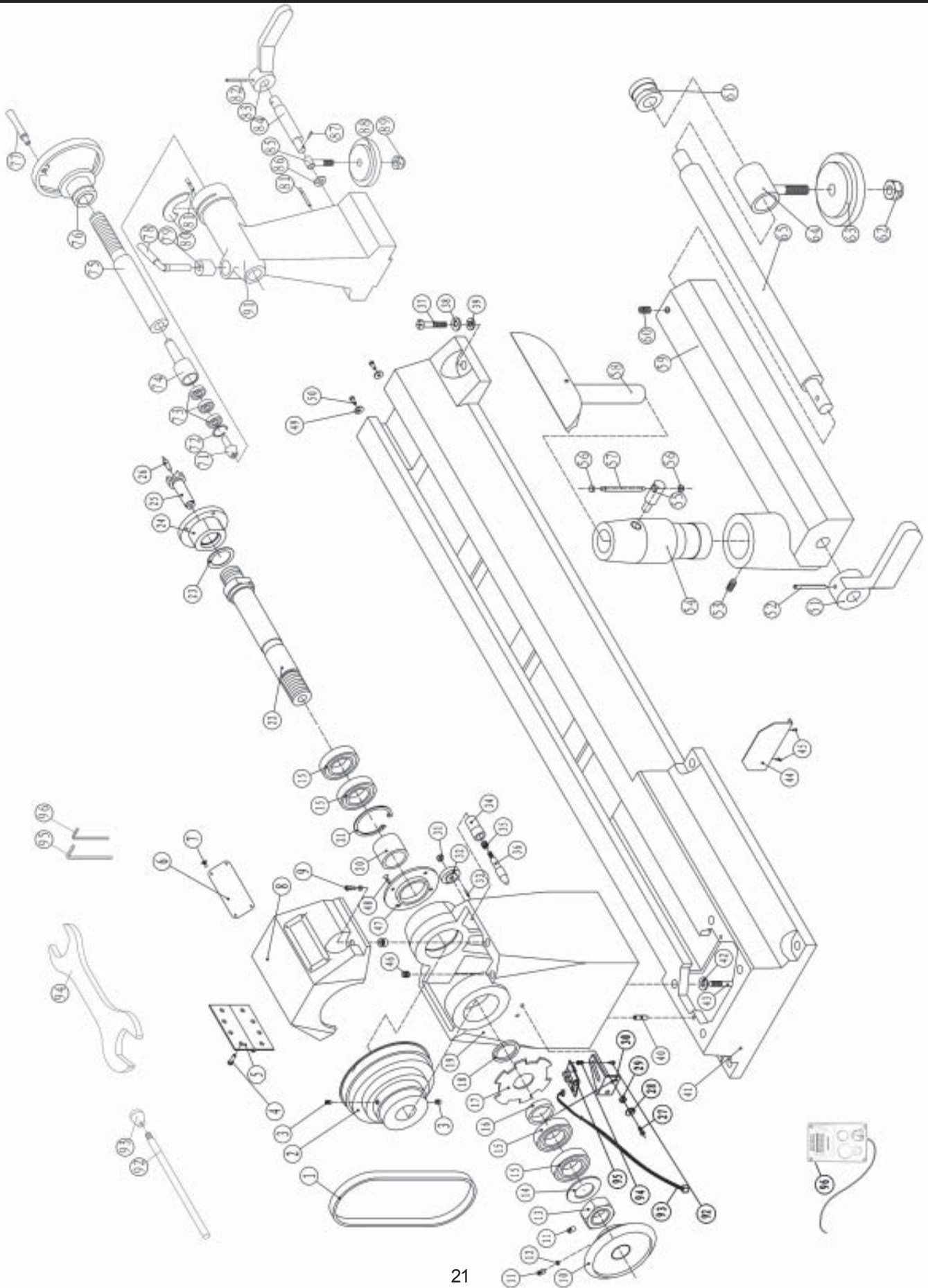
For more information:

www.rikontools.com or info@rikontools.com

For Parts or Questions:

techsupport@rikontools.com or 877-884-5167

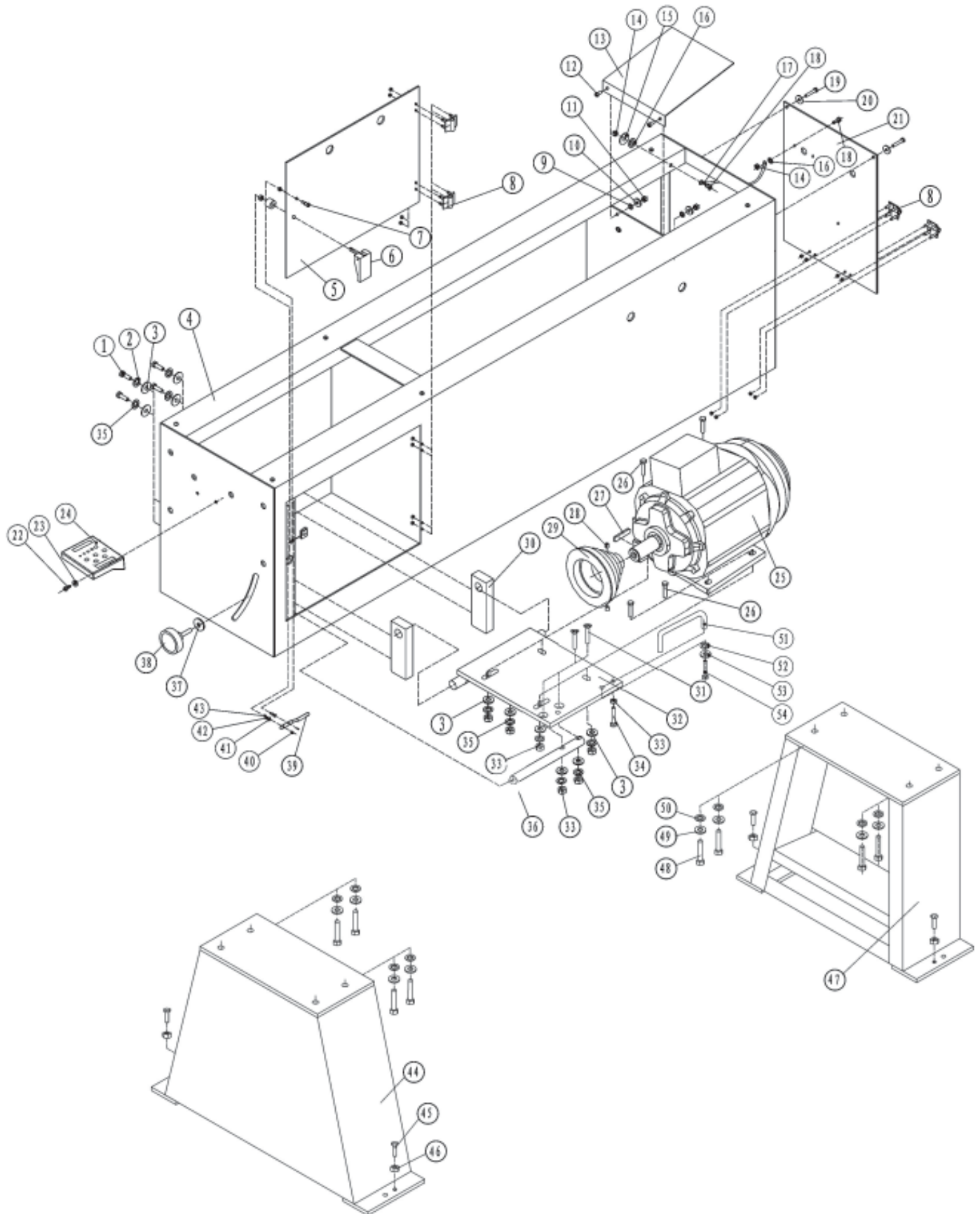
Explosion Diagram



Parts List

Key No.	Part No.	Description	Key No.	Part No.	Description
1	1-JL91010012	Poly vee belt 550-J6	46	1-JL91010015	Spring
2	1-JL91010007	Pulley- Headstock lid	47	1-JL91010013A	Plate
3	1-M8X16GB80B	Grub screw M8x16	48	1-M6X12GB70D3Z	Screw M4x10
4	1-M5X8GB820Z	Screw-gutter bolt 6mmx8mm long	49	1-WSH5GB5287Z	Washer
5	1-JL91013000	Hinge - Headstock lid	50	1-M5X10GB818Z	Pan head screw M5x10
6	1-JL91010023	Window	51	1-JL91020007B	Lock handle
7	1-M4X10GB819Z	Screw M4x10	52	1-PIN5X40GB879D1B	Sellock pin 5mmx40mm long
8	1-JL91010004B	Headstock lid	53	1-M8X12GB80B	Grub screw M8x12
9	1-JL91014000	Oval Phillips Head 1/4 turn stud	54	1-JL91030002	Insert
10	1-JL91010001B	Handwheel brake 33mmx3.5p	55	1-JL91031002	Lock screw Body
11	1-M8X8GB80B	Grub screw M8x8	56	1-M6GB923Z	Cap nut
12	1-JL91010026	Washer	57	1-JL91031001	Lock screw handle
13	1-JL91010005B	Lock collar - 33mmx3.5p	58	1-JL91030004	Tool rest 150mm
14	1-JL91010014B	Washer	59	1-JL91030001	Toolrest bracket - body
15	1-BRG6007VVCM	Bearing	60	1-M8X16GB80B	Grub screw M8x16
16	1-JL91010024	Spacer 14mm	61	1-JL91030005	Bush - c/lock bracket
17	1-JL91010021	Indicator plate	62	1-M12GB889Z	Nylon nut M12
18	1-JL91010025	Tube	63	1-JL91020008	Clamp disc
19	1-JL91010003B	Headstock	64	1-JL91032000	Cam bolt assembly
20	1-JL91010009	Spacer 35mm	65	1-JL91030006	Spindle - cam lock bracket
21	1-CLP62GB893D1B	Circlip 62mm j62	71	1-JL91021001	Revolving cup center
22	1-JL91010006B	Main spindle - 33mmx3.5p	72	1-CLP26GB893D1B	Ring retaining
23	1-JL91010016	Plastic washer	73	1-BRG6000VVCM	Bearing
24	1-JL91010010B	82mm Face plate R/H - 33mmX3.5p	74	1-JL91021002	Live center seat
25	1-JL91011001	Spur drive center - 25mm	75	1-JL91020002	Spindle - tailstock
26	1-JL91011002	Center point	76	1-JL91022002	Handwheel tailstock
27	1-M5X16GB818Z	Pan head screw M4x20	77	1-JL91022001	Handle - Handwheel
28	1-WSH5GB848Z	Washer	78	1-JL91020004	Clamp screw
29	1-M5GB6170Z	Nut M4	79	1-JL91020003	Clamp block
30	1-JL91010022	Digital readout bracket	80	1-JL91020005	Keeper plate
31	1-M6GB802Z	Dome nut 6mm	81	1-M6X8GB80B	Sellock pin 5mmx40mm long
32	1-JL91012004	Nut - Index pin	82	1-PIN5X40GB879D1B	Sellock pin 5mmx40mm long
33	1-PIN3X26GB879D1Z	Sellok pin 3mmx26mm long	83	1-JL91020007B	Lock handle
34	1-JL91012002	Body - index pin	84	1-JL91020006	Cam spindle - tailstock
35	1-JL91012003	Spring - index pin	85	1-JL91023000	Cam bolt - tailstock
36	1-JL91012001	Pin - index pin	86	1-WSH12GB95Z	Washer - heavy duty
37	1-M10X40GB5783Z	Hex. Head bolt M10x40	87	1-PIN3X30GB879D1B	Sellock pin 3mmx26mm long
38	1-JL91000001	Washer	88	1-JL91020008	Clamp disc
39	1-WSH10GB861D1Z	Int. Teeth lock washer M10	89	1-M12GB889Z	Nylon nut M12
40	1-PIN8X25GB879D1B	Sellok pin 3mmx25mm long	90	1-JL91020009	Screw
41	1-JL91010002B	Lathe bed	91	1-JL91020001	Tail stock
42	1-WSH10GB95Z	Flat washer M10	92	1-ST3.5X13GB845Z	Tapping screw
43	1-M10X30GB5783Z	Hex. Head bolt M10x30	93	1-JL91042205	Sensor cable
44	1-JL91010011	Insert plate	94	1-JL91042206	Washer
45	1-RVT3X6GB867Z	Rivet 3x6	95	1-JL91042207	Speed sensor
			96	1-JL91042000B	Switch

Explosion Diagram



Parts List

Key No.	Part No.	Description	Key No.	Part No.	Description
1	1-M8X20GB5783Z	Hex.bolt	26	1-M8X40GB5783Z	Hex. bolt
2	1-WSH8GB861D1B	Lock washer	27	1-PIN8X5X32GB1567	Key
3	1-WSH8GB96Z	Washer	28	1-m8x10GB80b	Hex. Socket screw
4	1-JL91041000B	Stand body	29	1-JL91040007	Motor pulley
5	1-JL91040001B	Motor housing door	30	1-JL91040003	Motor bracket support
6	1-JL91042100	Lock lever	31	1-m8x40GB819D1Z	Pan head screw
7	1-JL91045000	Lock screw	32	1-JL91043000	Motor bracket
8	1-JL91044000B	Hinge	33	1-M8GB6170Z	Hex. Nut
9	1-WSH6GB861D1Z	Lock washer	34	1-M8X35GB5783Z	Hex. bolt
10	1-WSH6GB96Z	Washer	35	1-WSH8GB861D1Z	Lock washer
11	1-M6GB6170Z	Hex.nut	36	1-JL91040004	Mounting shaft
12	1-M6X16GB818Z	Pan head screw	37	1-WSH8GB5287Z	Washer
13	1-JL91040006	Cover	38	1-JL91040005	Motor locking handle
14	1-M5GB6170Z	Nut	39	1-JL91040010	Spring
15	1-WSH5GB96Z	Washer	40	1-M4X10GB819Z	Screw
16	1-WSH5GB861D1Z	Lock washer	41	1-WSH4GB97D1Z	Washer
17	1-JL91040012	Hinge thread	42	1-WSH4GB861D1Z	Lock washer
18	1-M5X10GB818Z	Pan head screw	43	1-M4GB6170Z	Hex. nut
19	1-M6X16GB5783Z	Hex. Bolt	44	1-JL91051000B	Stand-left
20	1-WSH6GB95Z	Washer	45	1-M10X30GB5783Z	Hex. bolt
21	1-JL91040002B	Inverter housing door	46	1-M10GB6170Z	Hex. Nut
22	1-M6X12GB70Z	Hex. Socket head screw	47	1-JL91052000B	Stand-right
23	1-WSH6GB97D1Z	Washer	48	1-M10X30GB5783Z	Hex. Bolt
24	1-JL91060003	Tool holder	49	1-WSH10GB96Z	Washer
25	1-B9040584	Motor	50	1-WSH10GB861D1Z	Lock washer
			51	1-JL91040009	Lift handle
			52	1-WSH6GB861D1Z	Lock washer
			53	1-WSH6GB96Z	Washer
			54	1-M6X25GB5783Z	Hex.bolt

Warranty

RIKON

POWER TOOLS

2-Year Limited Warranty

RIKON Power Tools/Richen Enterprise, Inc. ("Seller") warrants to only the original retail consumer/purchaser of our products that each product be free from defects in materials and workmanship for a period of two (2) years from the date the product was purchased at retail. This warranty may not be transferred.

This warranty does not apply to defects due directly or indirectly to misuse, abuse, negligence, accidents, repairs, alterations, lack of maintenance or normal wear and tear. Under no circumstances will Seller be liable for incidental or consequential damages resulting from defective products. All other warranties, expressed or implied, whether of merchantability, fitness for purpose, or otherwise are expressly disclaimed by Seller. This warranty does not cover products used for commercial, industrial or educational purposes.

This limited warranty does not apply to accessory items such as blades, drill bits, sanding discs or belts and other related items.

Seller shall in no event be liable for death, injuries to persons or property, or for incidental, contingent, special, or consequential damages arising from the use of our products.

To take advantage of this warranty proof of purchase documentation, which includes date of purchase and an explanation of the complaint, must be provided.

The Seller reserves the right to effect at any time, without prior notice, those alterations to parts, fittings, and accessory equipment which they may deem necessary for any reason whatsoever.

To take advantage of this warranty, please fill out the enclosed warranty card and send it to:
RIKON Warranty
110 Cummings Park
Woburn, MA 01801

The card must be entirely completed in order for it to be valid. If you have any questions please contact us at 877-884-5167 or warranty@rikontools.com.

Notes:

Notes:

RIKON **POWER TOOLS**

For more information:
110 Cummings Park
Woburn, MA 01801

877-884-5167 / 781-933-8400
techsupport@rikontools.com
www.rikontools.com