

10" Cabinet Saw
Sliding Table Model: 10-110
Cast Table Wings Model: 10-050

RIKON
POWER TOOLS



Parts List

Record the serial number and date of purchase
in your manual for future reference.

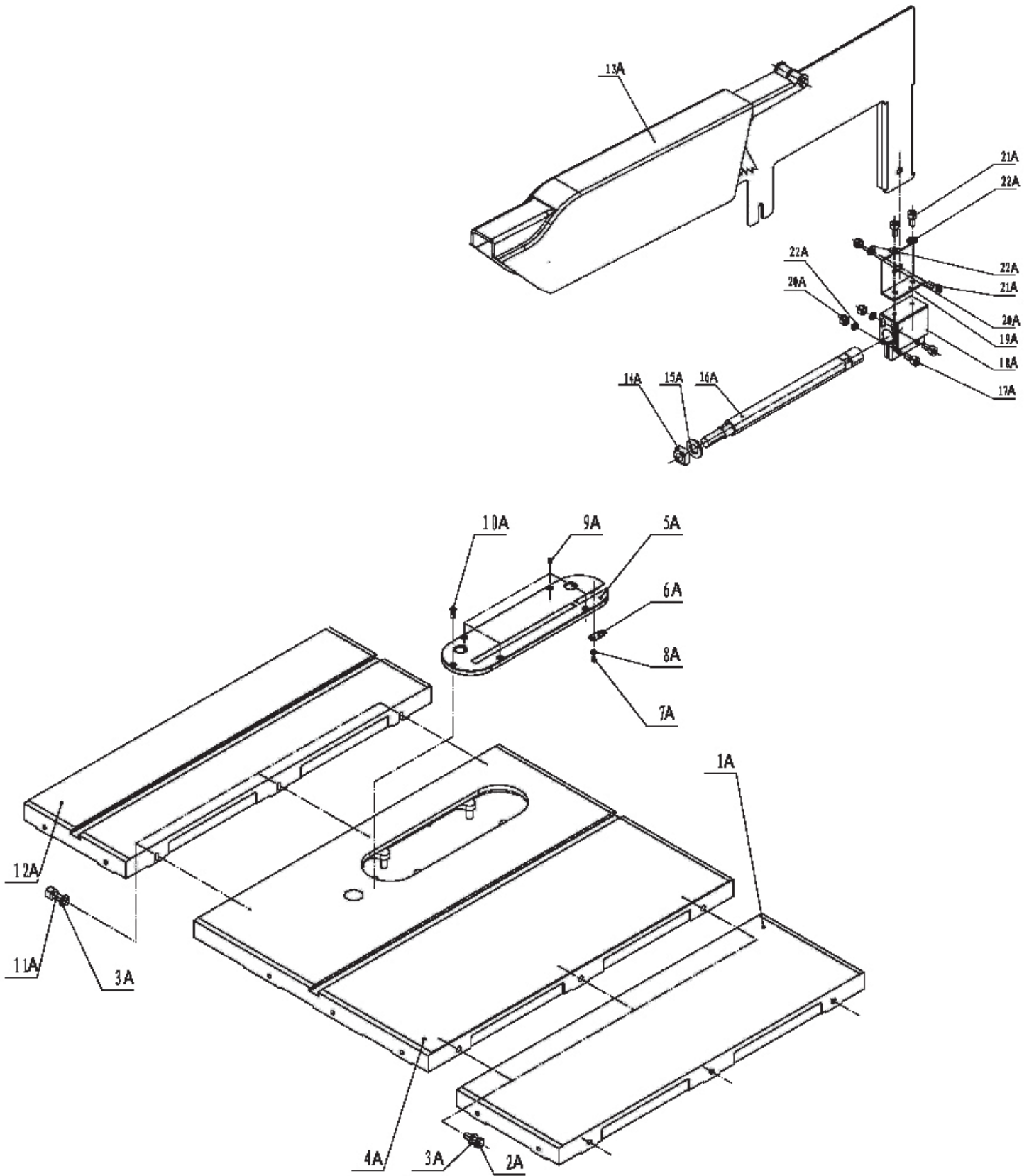
Serial number: _____

Date of purchase: _____

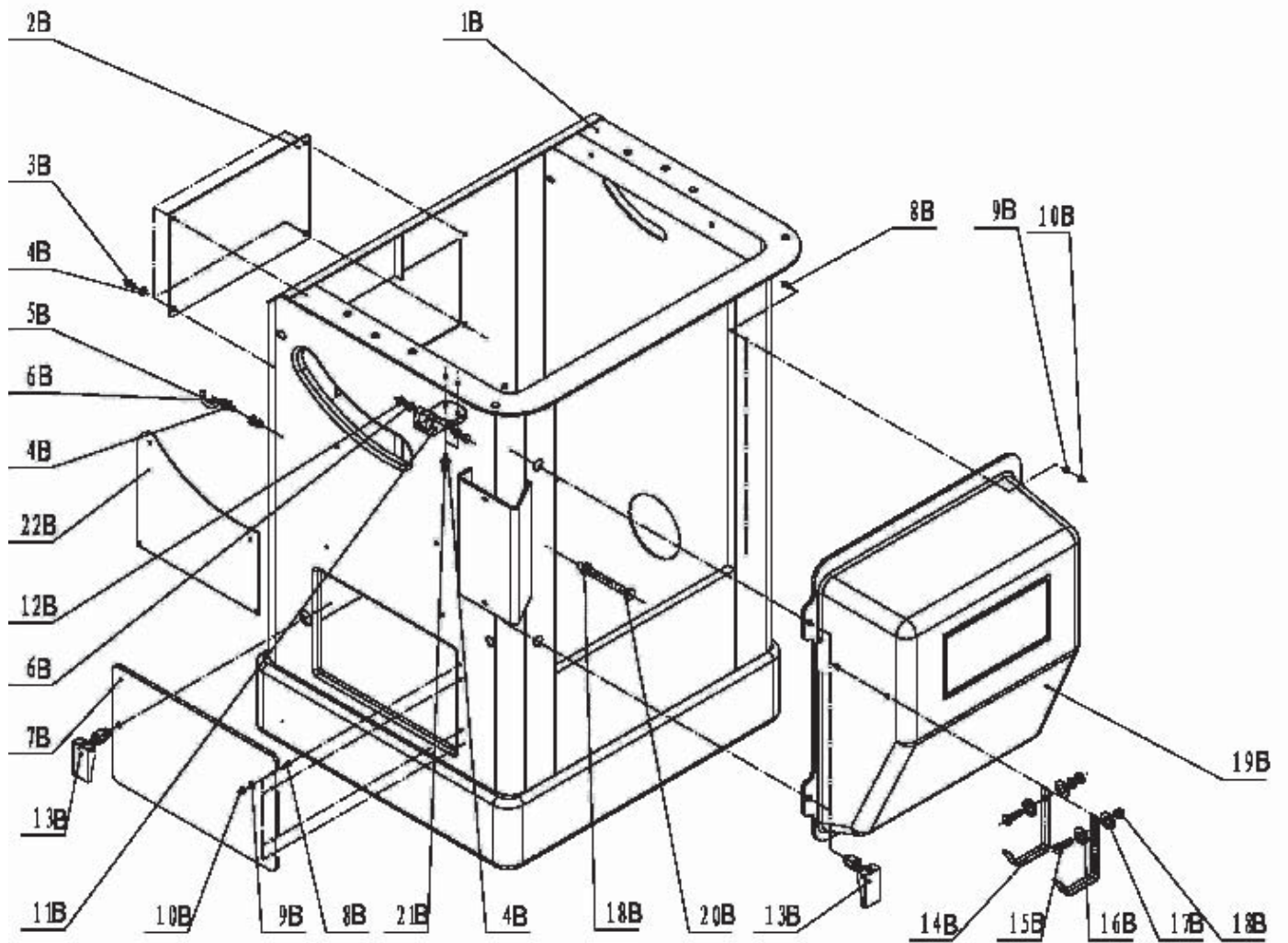
Part #10-110PL1

For more information:
www.rikontools.com or info@rikontools.com
For Parts or Questions:
techsupport@rikontools.com or 877-884-5167

Parts Diagram



Parts Diagram



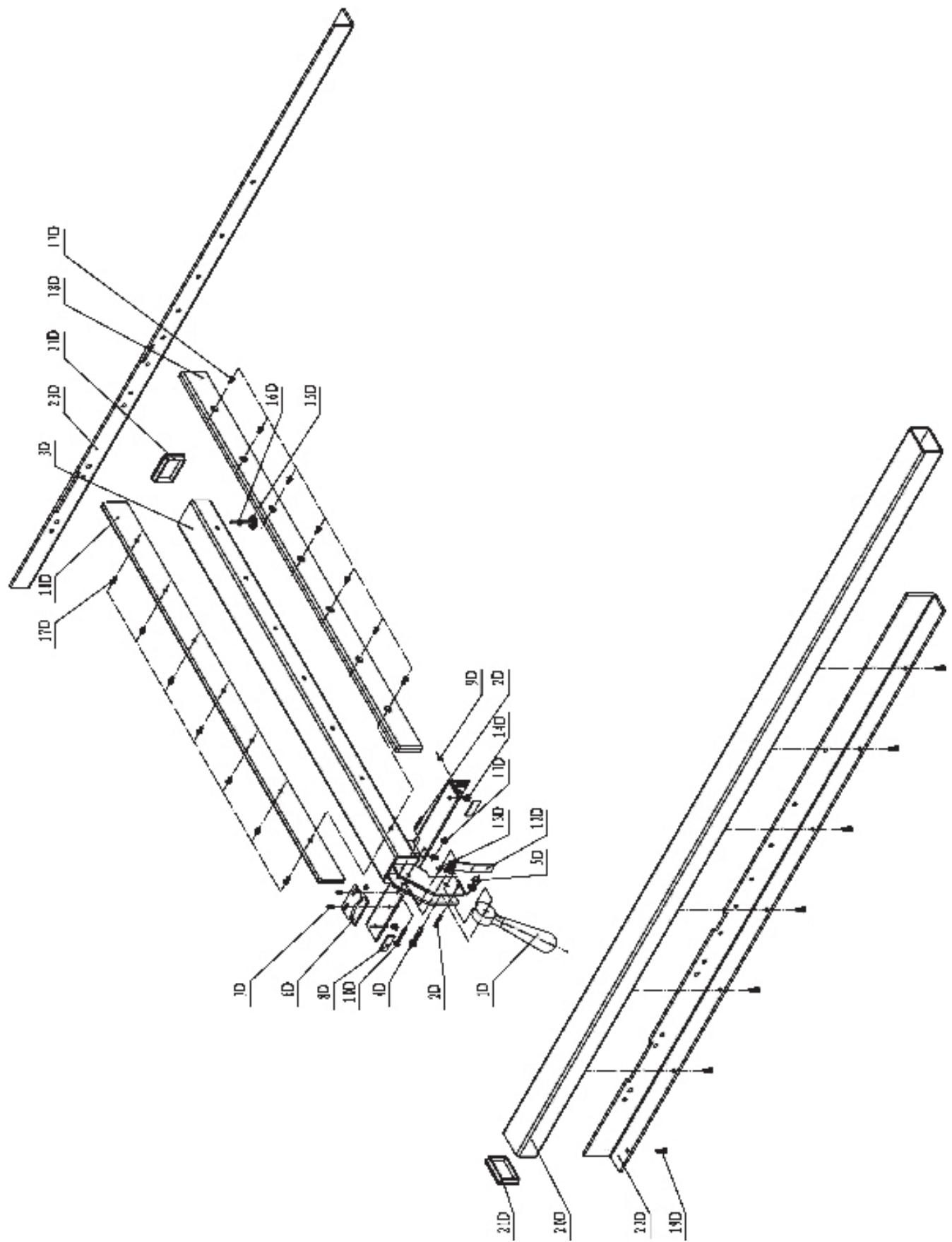
Parts List

Key Part No. No.	Description	Key Part No. No.	Description
1A 1-JL84010002	Extension wing	1B 1-JL84021000	Cabinet
2A 1-M10X30GB5783Z	Hex bolt M10X30	2B 1-JL84020002	Cover plate
3A 1-WSH10GB95Z	Washer 10	3B 1-M6X10GB818Z	Set screw M6X10
4A 1-JL84010001	Table	4B 1-WSH6GB95Z	Washer 6
5A 1-JL84010003	Table insert	5B 1-JL84020003	Hook
6A 1-JL84010005	Spring plate	6B 1-M6GB6170Z	Nut M6
7A 1-M4X6GB818Z	Set screw M4X6	7B 1-JL84020006	Cover plate II
8A 1-WSH4GB95Z	Washer 4	8B 1-M5X10GB819Z	Screw M5X10
9A 1-M6X8GB77B	Set screw M6X8	9B 1-WSH7GB97D1Z	Washer 7
10A 1-M6X16GB819B	Set screw M6X16	10B 1-M5GB923Z	Nut M5
11A 1-M10X30GB70Z	Hex bolt M10X30	11B 1-JL84020001	Micro-adjusting bracket
12A 1-JL84010002A	Extension wing II	12B 1-M6X25GB5783Z	Hex bolt M6X25
13A 1-JL84091000	Guard	13B 1-JL91042100	Locking bar assembly
14A 1-M10GB39Z	Square nut M10	14B 1-JL84020004	Support bracket
15A 1-WSH10GB95Z	Washer 10	15B 1-M8X16GB5781Z	Hex bolt M8X16
16A 1-JL84090001	Shaft	16B 1-WSH8GB95Z	Washer 8
17A 1-M5X20GB70Z	Set screw M5X20	17B 1-WSH8GB93Z	Washer 8
18A 1-JL84090002	Lower blade guard bracket	18B 1-M8GB6170Z	Nut M8
19A 1-JL84090003	Upper blade guard bracket	19B 1-JL84022000	Motor cover
20A 1-M5GB6170Z	Nut M5	20B 1-M8X65GB5781Z	Hex bolt M8X65
21A 1-M5X10GB70Z	Bolt M5X10	21B 1-M6X20GB5783Z	Hex bolt M6X20
22A 1-WSH5GB97D1Z	Washer 5	22B 1-JL84120001	RIKON label

Parts List

Key Part No. No.	Description	Key Part No. No.	Description		
1C	1-JL84040002	Trunnion bracket	31C	1-JL84040003	Shaft
2C	1-JL84040001	Trunnion	32C	1-M20GB889D1Z	Locking nut M20
3C	1-M8X25GB5783Z	Hex bolt M8X25	33C	1-WSH20GB95Z	Washer 20
4C	1-M8GB6170Z	Nut M8	34C	1-JL84040005	Collar
5C	1-JL84042003	Turbine	35C	1-JL84041000	Worm shaft assembly
6C	1-JL84042001	Arbor bracket	36C	1-JL84040004	Turbine II
7C	1-M10X10GB77B	Set screw M10X10	37C	1-PIN5X19GB1099	Pin 5X19
8C	1-PIN6X32GB1096	Pin 6X32	38C	1-JL84030002	Collar
9C	1-JL84042102	Arbor nut	39C	1-M8X8GB77Z	Set screw M8X8
10C	1-JL84042103	Arbor flange	40C	1-JL84040006	Pointer
11C	1-JL84042101	Arbor with flange	41C	1-M4X8GB818Z	Screw M4X8
12C	1-BRG6205GB276	Ball bearing	42C	1-WSH4GB95Z	Washer 4
13C	1-JL84042104	Bearing load spacer	43C	1-M8X16GB80B	Set screw M8X16
14C	1-CLP25GB894D1	Retaining ring	44C	1-M10X35GB5783Z	Hex bolt M10X35
15C	1-JL84042004	Blade	45C	1-JL84030003	Lock knob
16C	1-JL84042002	Arbor pulley	46C	1-JL50000005	Washer plate
17C	1-M10X40GB5781Z	Hex bolt M10X40	47C	1-JL84032000(1)	Handwheel
18C	1-WSH10GB95Z	Washer 10	48C	1-JL84032000(2)	Hand wheel handle
19C	1-WSH10GB93Z	Washer 10	49C	1-JL84040007	V-belt
20C	1-M10X50GB5781Z	Hex bolt M10X50	50C	1-HNPB-18K	Magnetic switch
21C	1-M8X12GB77B	Set screw M8X12	51C	1-JL84030003	Lock knob
22C	1-JL84043001	Adjusting bolt for guard	52C	1-JL84032000(1)	Handwheel
23C	1-JL84043002	Adjusting nut for guard	53C	1-JL84032000(2)	Hand wheel handle
24C	1-WSH6GB96Z	Washer 6	54C	1-M8X16GB80B	Set screw M8X16
25C	1-WSH6GB93Z	Spring washer 6	55C	1-JL84031000	Worm shaft assembly II
26C	1-M6X10GB70D1Z	Screw M6X10	56C	1-JL84030002	Collar
27C	1-JL84044001	Motor pulley	57C	1-M8X8GB77Z	Set screw M8X8
28C	1-M10X30GB5783Z	Hex bolt M10X30	58C	1-JL50000005	Washer plate
29C	1-JL84044003	Motor mounting bracket	59C	1-PIN5X19GB1099	Pin 5X19
30C	1-G1123692	Motor	60C	1-JL84030001	Support bracket

Parts Diagram



Parts List

Key No.	Part No.	Description
1D	1-JL84051200	Lock handle assembly
2D	1-PIN5X30GB879B	Pin 5X30
3D	1-JL84051100	Fence bracket assembly
4D	1-M8X45GB12Z	Carriage bolt M8X45
5D	1-M8GB889Z	Nut M8
6D	1-JL84051003	Magnifier
7D	1-M5X8GB818Z	Screw M5X8
8D	1-JL84051008	Frication plate
9D	1-M8X8GB77B	Screw M8X8
10D	1-M6X40GB5783Z	Hex bolt M6X40
11D	1-M6GB889Z	Locking nut M6
12D	1-JL84051001	Bracket
13D	1-JL84051004	Torsion spring
14D	1-JL84051005	Adjusting screw
15D	1-JL84051007	Rear support bracket
16D	1-M6GB6170Z	Nut M6
17D	1-M6X16GB818Z	Pan head screw M6X16
18D	1-JL84051002	Defend plate
19D	1-M6X12GB5783Z	Hex bolt M6X12
20D	1-JL84050002	Front fence rail
21D	1-JL84051006	Tube cap
22D	1-JL84050001	Front fence rail support
23D	1-JL84050003	Rear fence support

RIKON

POWER TOOLS

2-Year Limited Warranty

RIKON Power Tools/Richen Enterprise, Inc. (“Seller”) warrants to only the original retail consumer/purchaser of our products that each product be free from defects in materials and workmanship for a period of two (2) years from the date the product was purchased at retail. This warranty may not be transferred.

This warranty does not apply to defects due directly or indirectly to misuse, abuse, negligence, accidents, repairs, alterations, lack of maintenance or normal wear and tear. Under no circumstances will Seller be liable for incidental or consequential damages resulting from defective products. All other warranties, expressed or implied, whether of merchantability, fitness for purpose, or otherwise are expressly disclaimed by Seller. This warranty does not cover products used for commercial, industrial or educational purposes.

This limited warranty does not apply to accessory items such as blades, drill bits, sanding discs or belts and other related items.

Seller shall in no event be liable for death, injuries to persons or property, or for incidental, contingent, special, or consequential damages arising from the use of our products.

To take advantage of this warranty proof of purchase documentation, which includes date of purchase and an explanation of the complaint, must be provided.

The Seller reserves the right to effect at any time, without prior notice, those alterations to parts, fittings, and accessory equipment which they may deem necessary for any reason whatsoever.

To take advantage of this warranty, please fill out the enclosed warranty card and send it to:
RIKON Warranty
110 Cummings Park
Woburn, MA 01801

The card must be entirely completed in order for it to be valid. If you have any questions please contact us at 877-884-5167 or warranty@rikontools.com.

RIKON **POWER TOOLS**

**For more information:
110 Cummings Park
Woburn, MA 01801**

**877-884-5167/781-933-8400
techsupport@rikontools.com
www.rikontools.com**