

10" Cabinet Saw Sliding Table

Model: 10-110B/E

RIKON POWER TOOLS



Parts List

Record the serial number and date of purchase
in your manual for future reference.

Serial number: _____

Date of purchase: _____

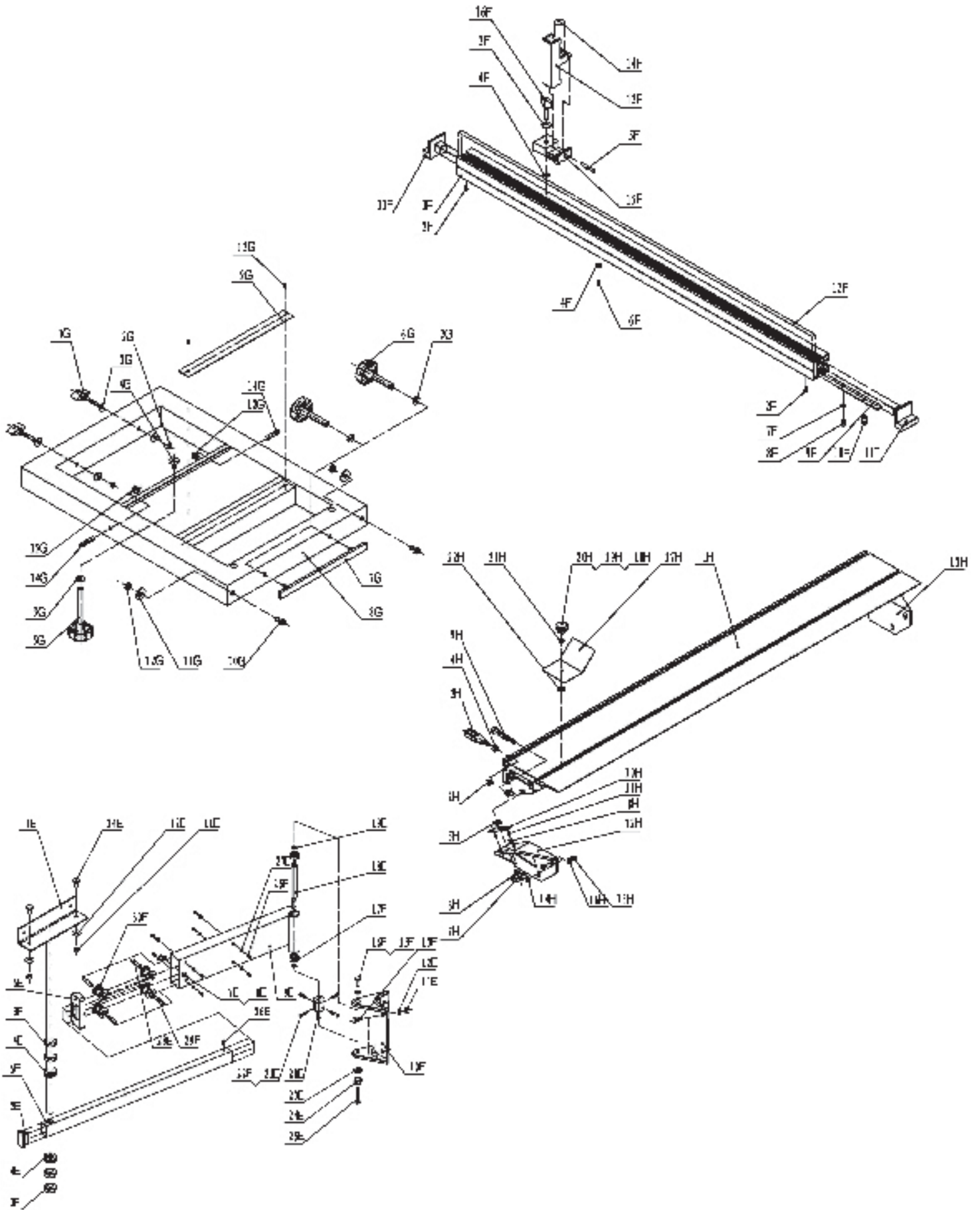
For more information:

www.rikontools.com or info@rikontools.com

For Parts or Questions:

techsupport@rikontools.com or 877-884-5167

Parts Diagram



Parts List

Key No.	Part No.	Description	Key No.	Part No.	Description
1E	1-JL82236009	Support arm	13F	1-JL82213009-001Y	Flip stop
2E	1-JL82212006	End cap	14F	1-JL82213010	Magnifier
3E	1-M20GB6173	Hex nut M20	15F	1-JL82213011-001Y	Sliding block
4E	1-BRG51104GB301	Thrust bearing	16F	1-JL82213018	Thumb screw II
5E	1-JL84070002	Extension arm	1G	1-JL82213016	Thumb screw I
6E	1-JL82236002	End cap	2G	1-M6GB6170Z	Hex nut M6
7E	1-M4X8GB818Z	Hex bolt M4x8	3G	1-WSH6GB96Z	Washer 6
8E	1-WSH5GB96Z	Washer 5	4G	1-JL84100003	Clamp block
9E	1-JL82236003	Swing arm assembly	5G	1-JL84102000	Clamp handle assembly I
10E	1-JL84070001	Seat - Swing arm	6G	1-JL84102000A	Clamp handle assembly II
11E	1-M8GB6170Z	Hex nut M8	7G	1-JL84100002	Clamp plate
12E	1-WSH8GB96Z	Washer 8	8G	1-JL84101000	Sliding table frame assembly
13E	1-M8X25GB5783Z	Hex bolt M8x25	9G	1-JL84100001	Angle scale
14E	1-M8X20GB801Z	Hex bolt M8x20	10G	1-JL82233007	Position pin
15E	1-M10X25GB5781B	Hex bolt M10x25	11G	1-WSH8GB95Z	Washer 8
16E	1-WSH10GB95B	Washer 10	12G	1-M8GB6170Z	Hex nut M8
17E	1-BRG6202GB276	Bearing 6202-Z	13G	1-RVT3X7GB12618A	Rivet
18E	1-JL82236005	Shaft	14G	1-M8X40GB77B	Set screw M8X40
19E	1-CLP15GB894D1B	Retaining ring	1H	1-JL84061000	Sliding carriage
20E	1-JL82236011	Adjustable seat	2H	1-M10GB39Z	Square nut
21E	1-M6X30GB5781Z	Hex bolt M6x30	3H	1-JL26060012	Handle
22E	1-M6GB6170Z	Hex nut M6	4H	1-M10GB6170Z	Hex nut M10
23E	1-WSH16GB95Z	Washer 16	5H	1-JL82240007	Square nut
24E	1-M16GB6170Z	Hex nut M16	6H	1-WSH8GB95Z	Washer 8
25E	1-M8X60GB5781Z	Hex bolt M8X60	7H	1-JL82240011	Thumb Screw
26E	1-M6X10GB70Z	Bolt M6x10	8H	1-JL82233007	Set screw
27E	1-WSH6GB95Z	Washer 6	9H	1-JL82243000	Position handle
28E	1-JL82236006	Shaft	10H	1-JL82240010	Plate
29E	1-JL82236007	Eccentric shaft	11H	1-M6X12GB77B	Set screw M6x12
30E	1-JL82236008	Roller	12H	1-JL84060001	Support plate, front
1F	1-JL82213003	Miter fence	13H	1-JL84060002	Support plate, back
2F	1-ST3D5X9D5GB845Z	Panhead screw	14H	1-M8X20GB5781Z	Hex bolt M8x20
3F	1-WSH6GB5287Z	Washer 6	15H	1-M8GB6177D1Z	Flange nut
4F	1-JL82030006	Square nut	16H	1-WSH8GB96Z	Washer 8
5F	1-PIN6X45GB119	Pin	17H	1-JL84060003	Clamp plate
6F	1-M6X10GB77B	Set screw M6X10	18H	1-JL20061101	Knob cover
7F	1-WSH6GB95Z	Washer 6	19H	1-JL20061102	Knob body
8F	1-M6X10GB70Z	Hex screw M6X10	20H	1-M6X16GB5781Z	Bolt M6x16
9F	1-JL82213015	Guide plate	21H	1-WSH6GB96Z	Washer 6
10F	1-JL82213006	Small shaft	22H	1-JL82030006	Square nut
11F	1-JL82213007	End cap			
12F	1-JL82213008	Scale I			

RIKON **POWER TOOLS**

2-Year Limited Warranty

RIKON Power Tools/Richen Enterprise, Inc. ("Seller") warrants to only the original retail consumer/purchaser of our products that each product be free from defects in materials and workmanship for a period of two (2) years from the date the product was purchased at retail. This warranty may not be transferred.

This warranty does not apply to defects due directly or indirectly to misuse, abuse, negligence, accidents, repairs, alterations, lack of maintenance or normal wear and tear. Under no circumstances will Seller be liable for incidental or consequential damages resulting from defective products. All other warranties, expressed or implied, whether of merchantability, fitness for purpose, or otherwise are expressly disclaimed by Seller. This warranty does not cover products used for commercial, industrial or educational purposes.

This limited warranty does not apply to accessory items such as blades, drill bits, sanding discs or belts and other related items.

Seller shall in no event be liable for death, injuries to persons or property, or for incidental, contingent, special, or consequential damages arising from the use of our products.

To take advantage of this warranty proof of purchase documentation, which includes date of purchase and an explanation of the complaint, must be provided.

The Seller reserves the right to effect at any time, without prior notice, those alterations to parts, fittings, and accessory equipment which they may deem necessary for any reason whatsoever.

To take advantage of this warranty, please fill out the enclosed warranty card and send it to:
RIKON Warranty
110 Cummings Park
Woburn, MA 01801

The card must be entirely completed in order for it to be valid. If you have any questions please contact us at 877-884-5167 or warranty@rikontools.com.

RIKON **POWER TOOLS**

For more information:

**110 Cummings Park
Woburn, MA 01801**

**877-884-5167/781-933-8400
techsupport@rikontools.com
www.rikontools.com**