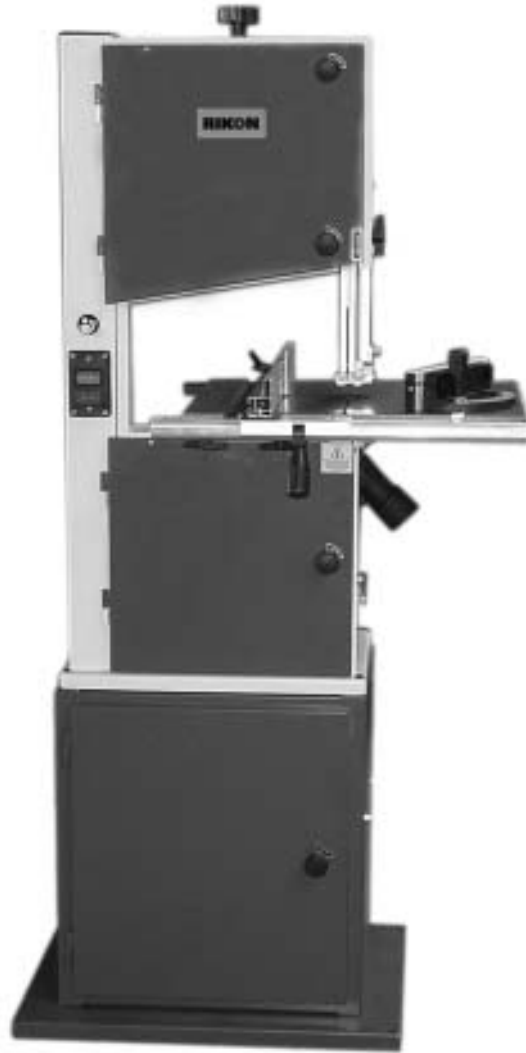


# 14" Woodworking Bandsaw

Model: 10-320

**RIKON**  
**POWER TOOLS**



Shown with Optional Miter Gauge and Fence

Record the serial number and date of purchase  
on your parts list for future reference.

Serial number: \_\_\_\_\_

Date of purchase: \_\_\_\_\_

For more information:

[www.rikontools.com](http://www.rikontools.com) or [info@rikontools.com](mailto:info@rikontools.com)

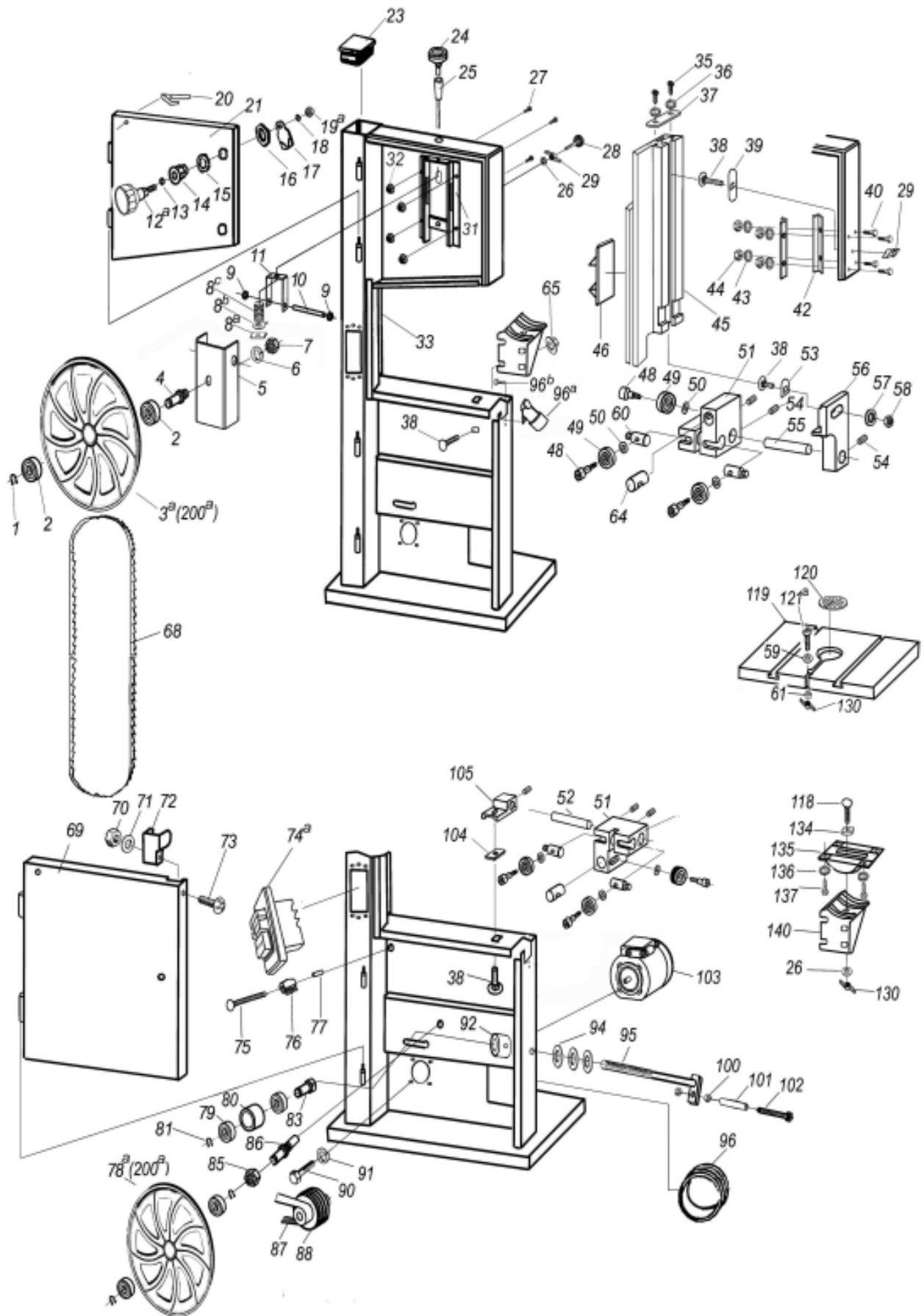
For Parts or Questions:

[techsupport@rikontools.com](mailto:techsupport@rikontools.com) or 877-884-5167

# Parts List

Key No.	Part No.	Description	Key No.	Part No.	Description
1	1-CLP17GB894D1B	Circlip ring 17x1	57	1-WSH8GB97D1Z	Flat washer 8mm
2	1-BRG80203GB278D	Ball bearing 80203	58	1-LOC5/16Z	Hex. l nut 5/16"x18, self locking
3a	1-JL21022001A	Upper wheel assembly	59	1-WSH6GB97D1Z	Flat washer 6mm
4	1-JL20021006	Upper bearing shaft	60	1-JL22042003	Bearing mount cylinder w/cap
5	1-JL20021005A050W	Wheel carrier bracket	61	1-JL21031003	Bush
6	1-WSH16GB93Z	Spring washer M16	64	1-JL22042004	Bearing mount cylinder
7	1-M16GB6171Z	Hexagonal nut M16x15	65	1-M8GB6177Z	Flange nut M8
8a	1-JL20021009	Blade tension indicator	69	1-JL21013000-049W	Door-lower assembly
8b	1-JL21020004-014T	Indicator, scale	70	1-M4GB889Z	Hex. nut M4, self locking
8c	1-JL21021010A	Spring, scale	71	1-WSH4GB97D1Z	Flat washer 4mm
9	1-JL20021004	Star lock w/o cap Rd10	72	1-JL20010006-050W	Saw blade guard
10	1-JL20021002	Cylindrical pin 11x100	73	1-M4X12GB818Z	Hexagonal screw M4x12
11	1-JL20021001B050W	Tension bracket	74	1-HY56	Power switch
12a	1-JL20061101/2-001S	Knurled knob	75	1-M8X100GB14Z	Carriage bolt M8X100
13	1-M6GB6172Z	Saddle washer	76	1-JL20010004	Brush
14	1-JL20010011-001S	Lock housing	77	1-JL20010003	Spacer bush M8x50
15	1-JL20010013-001S	Nylon washer	78a	1-JL21023000A	Lower wheel assembly
16	1-JL20010012	Hexagonal nut M22x1.5	79	1-BRG80101GB278	Grooved ball bearing 80101
17	1-JL20010009	Tongue lock	80	1-JL20014002A	Tension wheel
18	1-WSH6GB93Z	Serrated lock washer 6mm	81	1-CLP12GB894D1B	Circlip ring 12x1
19	1-M6GB889Z	Hex nut M6	83	1-JL20014001	Sliding shaft
20	1-JL20010008	Leaf spring	85	1-JL20020004	Hexagonal nut M20x1.5
21	1-JL21012000B049W	Door-upper assembly	86	1-JL21020002A	Lower bearing shaft
23	1-JL21010001A-001S	Top plug	87	1-JL20020002	Poly-v-belt
24	1-JL21025001-001S	Blade tension knob	88	1-JL20070001	Motor belt pulley
25	1-JL21021200A	Blade tensioner	90	1-M6X16GB5781Z	Hexagonal screw M6x16
27	1-M8X16GB5781Z	Hex. head screw M8x16	91	1-WSH6GB93Z	Spring washer 6mm
28	1-JL20024001/2-001S	Blade tracking knob	92	1-JL20010015	Set collar 10mm
29	1-JL20010016-001S	Wing nut M8	94	1-WSH10GB97D1Z	Disc washer 20x10.2x0.8
31	1-JL20021100A050W	Tension bracket frame	95	1-JL21015100	Crank
32	1-M8GB6177Z	Flange nut M8	96	1-JL20010007-001S	Saction connector Rd 100
33	1-JL21011000C050W	Frame-Bandsaw	96a	1-JL21010019	2.5"Dust port
35	1-ST4D8X22GB845Z	Pan head tapping screw	96b	1-M6X10GB5781Z	Cylinder HD screw M6x10
37	1-JL20041003	Plate	100	1-M6GB6170Z	Hexagonal flat nut M6
38	1-M8X20GB14Z	Carriage bolt 5/16"x18x7/8	101	1-JL20015001-001S	Crank handle
39	1-JL20041004	Bolt guide	102	1-M6X55GB65Z	Cap screw M6x55
40	1-M6X16GB5781Z	Hexagonal bolt M6x16	103	1-H8012614/1-UL1506012	Motor 1HP 120V-60HZ
42	1-JL20010005	Guide bracket	104	1-JL20040001	Pin guide set
43	1-WSH6GB862D2Z	Lock washer 6mm	105	1-JL21043001	Lower guide support
44	1-M6GB6170Z	Hexagonal nut M6	118	1-M8X50GB14Z	Carriage bolt M8x50
45	1-JL21041001B	Saw blade guide assembly	119	1-JL21031001D001G	Table
46	1-JL20041002-001S	Slide	120	1-JL20031002-001S	Table insert
48	1-M5X20GB70Z	Guide adjusting screw	121a	1-6X50GB70Z	Hex socket screw M6x50
49	1-BRG80018GB278	Grooved ball bearing	130	1-JL20010016-001S	Wing nut M8
50	1-WSH6GB97D1Z	Flat washer M6	134	1-JL20030002	Glide piece
51	1-JL21042001	3-roller guide block	135	1-JL20032001	Table trunnion upper
53	1-JL22041004	Bolt guide, small	136	1-WSH8GB862D2Z	Lock washer 8mm
54	1-M8X10GB80B	Screw socket set M8x10	137	1-M8X16GB5781Z	Hexagonal screw M8x20
55	1-JL22042002	Guide shaft	140	1-JL20030001A	Table trunnion lower
56	1-JL21042002	Upper guide mount	200a	1-JL21022002A	Bandsaw tire 350x2.5x24

# Parts Explosion







## 2-Year Limited Warranty

RIKON Power Tools/Richen Enterprise, Inc. ("Seller") warrants to only the original retail consumer/purchaser of our products that each product be free from defects in materials and workmanship for a period of two (2) years from the date the product was purchased at retail. This warranty may not be transferred.

This warranty does not apply to defects due directly or indirectly to misuse, abuse, negligence, accidents, repairs, alterations, lack of maintenance or normal wear and tear. Under no circumstances will Seller be liable for incidental or consequential damages resulting from defective products. All other warranties, expressed or implied, whether of merchantability, fitness for purpose, or otherwise are expressly disclaimed by Seller. This warranty does not cover products used for commercial, industrial or educational purposes.

This limited warranty does not apply to accessory items such as blades, drill bits, sanding discs or belts and other related items.

Seller shall in no event be liable for death, injuries to persons or property, or for incidental, contingent, special, or consequential damages arising from the use of our products.

To take advantage of this warranty proof of purchase documentation, which includes date of purchase and an explanation of the complaint, must be provided.

The Seller reserves the right to effect at any time, without prior notice, those alterations to parts, fittings, and accessory equipment which they may deem necessary for any reason whatsoever.

To take advantage of this warranty, please fill out the enclosed warranty card and send it to:  
RIKON Warranty  
400 West Cummings Park  
Suite 1000  
Woburn, MA 01801

The card must be entirely completed in order for it to be valid. If you have any questions please contact us at 877-884-5167 or [warranty@rikontools.com](mailto:warranty@rikontools.com).

# **RIKON** **POWER TOOLS**

**For more information:**  
**400 West Cummings Park, Suite 1000**  
**Woburn, MA 01801**

**877-884-5167/781-933-8400**  
**info@rikontools.com**  
**www.rikontools.com**