

# 13" Bench Drill Press

Model: 30-120

# RIKON POWER TOOLS



Record the serial number and date of purchase  
in your manual for future reference.

Serial number: \_\_\_\_\_

Date of purchase: \_\_\_\_\_

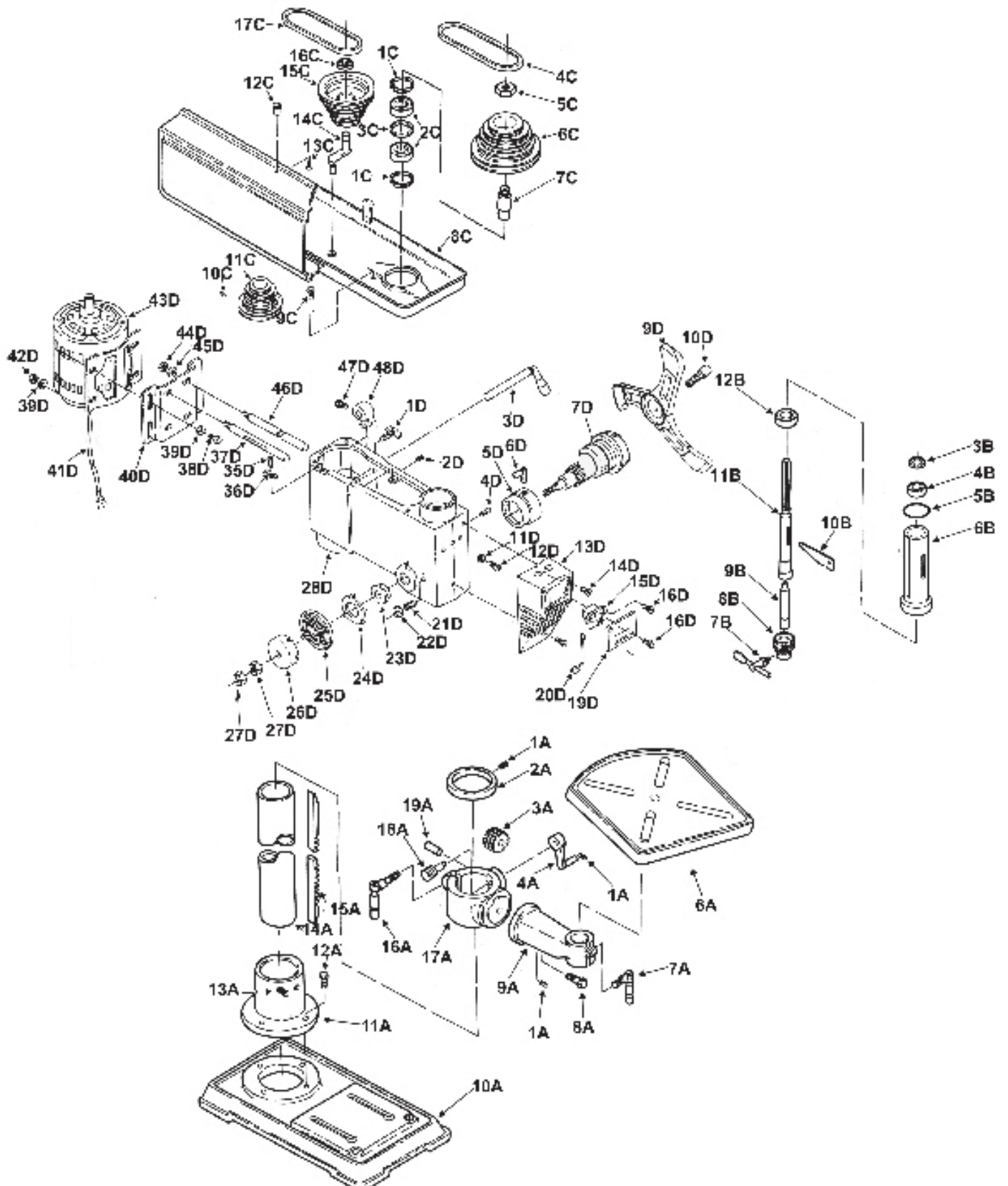
For more information:

[www.rikontools.com](http://www.rikontools.com) or [info@rikontools.com](mailto:info@rikontools.com)

For Parts or Questions:

[techsupport@rikontools.com](mailto:techsupport@rikontools.com) or 877-884-5167

# Parts Explosion



## Parts List

Key Part No. No.	Description	Key Part No. No.	Description
1A	1-M6X10GB80B	14C	1-1705007
2A	1-1501011	15C	1-1505006-02001G
3A	1-1501006	16C	1-BRG80202GB278
4A	1-1501009-10001G	1D	1-1502005
6A	1-1301014-02001G	2D	1-M6X8GB80B
7A	1-1501013-01001S	3D	1-1502004
8A	1-M16X35GB5781B	4D	1-1304010
9A	1-1301005-00001G	5D	1-1304003-00001Y
10A	1-1301001-01001G	6D	1-1504012
11A	1-1501002-02001G	7D	1-1304002
12A	1-M10X40GB5781B	9D	1-1304011-02001Y
13A	1-M10X12GB80B	10D	1-M8X20GB70B
14A	1-1501003-02	11D	1-WSH5GB862D2B
15A	1-1501010-01	12D	1-M5X8GB818B
16A	1-1501012-01001S	13D	1-U1302008-00001S
17A	1-1501004-00001G	14D	1-M5X16GB818B
18A	1-1501008	15D	1-C13-8B
19A	1-1501007	16D	1-ST4D2X9D5GB845Z
3B	1-CLP11GB894D1B	19D	1-1502009-02
4B	1-BRG80201GB278	20D	2-U1318085C-636
5B	1-1303003	21D	1-1302021
6B	1-1303002-02	22D	1-M8GB6170B
7B	1-Z303116-1	23D	1-1504006
8B	1-Z103116	24D	1-1504007
9B	1-Z402003	25D	1-1504009
10B	1-1503008	26D	1-1504008
11B	1-1303001-01	27D	1-1504013
12B	1-BRG80204GB278	28D	1-1302001-00050B
1C	1-CLP17GB894D1B	36D	1-1502014
2C	1-BRG80203GB278	37D	1-1502003
3C	1-1302023	38D	1-M8X20GB5781B
4C	1-1305011	39D	1-WSH8GB97D1B
5C	1-1302025	40D	1-1502007-00001Y
6C	1-1305009-02001G	41D	2-U23182300-412
7C	1-1302022	42D	1-M8GB6170B
8C	1-1305000-00049W	43D	1-G8812624-00001G
9C	1-M6X12GB9074D1Z	44D	1-M12GB6170B
10C	1-M8X16GB80B	45D	1-WSH12GB93B
11C	1-1505005-00001G	46D	1-1502003
12C	1-1505008-00001S	47D	1-M8X16GB5781B
13C	1-M5X12GB818B	48D	1-1502006
			Pivot-Idler
			Pulley-Center
			Bearing-Ball 15mm
			Knob-Motor Adjusting
			Screw-Socket Set M10
			Handle-Belt Tension
			Pin-Stop
			Ring-Depth Stop w/Scale
			Lock-Depth Screw
			Hub
			Cast iron handwheel
			Socket head screw
			Lock Washer Ext.M5
			Screw-Pan HD M5
			Box Switch
			Screw-Pan HD M5
			Switch-Locking
			Screw-Pan HD M4.2
			Cover-Switch Plate
			Lead Asm.3
			Screw-Set Special 10
			Nut-Hex M10x1.5
			Seat-Spring
			Retainer-Spring
			Spring-Torsion
			Cap-Spring
			Nut-Hex M12x1.5-8
			Head w/Pointer and Trim
			Clamp-Cord
			Support-Motor Bracket
			Screw-Hex HD M8
			Washer 8x16x1.6
			Mount-Motor
			Cord-Motor
			Nut-Hex M8x1.25
			Motor
			Nut-Hex M12x1.75
			Lock Washer 1/2
			Support-Motor Bracket
			Screw Hex HD M8
			Lever-Adjusting

## Notes

## Warranty

# RIKON

## POWER TOOLS

### 2-Year Limited Warranty

RIKON Power Tools/Richen Enterprise, Inc. (“Seller”) warrants to only the original retail consumer/purchaser of our products that each product be free from defects in materials and workmanship for a period of two (2) years from the date the product was purchased at retail. This warranty may not be transferred.

This warranty does not apply to defects due directly or indirectly to misuse, abuse, negligence, accidents, repairs, alterations, lack of maintenance or normal wear and tear. Under no circumstances will Seller be liable for incidental or consequential damages resulting from defective products. All other warranties, expressed or implied, whether of merchantability, fitness for purpose, or otherwise are expressly disclaimed by Seller. This warranty does not cover products used for commercial, industrial or educational purposes.

This limited warranty does not apply to accessory items such as blades, drill bits, sanding discs or belts and other related items.

Seller shall in no event be liable for death, injuries to persons or property, or for incidental, contingent, special, or consequential damages arising from the use of our products.

To take advantage of this warranty proof of purchase documentation, which includes date of purchase and an explanation of the complaint, must be provided.

The Seller reserves the right to effect at any time, without prior notice, those alterations to parts, fittings, and accessory equipment which they may deem necessary for any reason whatsoever.

To take advantage of this warranty, please fill out the enclosed warranty card and send it to:  
RIKON Warranty  
110 Cummings Park  
Woburn, MA 01801

The card must be entirely completed in order for it to be valid. If you have any questions please contact us at 877-884-5167 or [warranty@rikontools.com](mailto:warranty@rikontools.com).

# **RIKON** **POWER TOOLS**

**For more information:  
110 Cummings Park  
Woburn, MA 01801**

**877-884-5167/781-933-8400  
info@rikontools.com  
www.rikontools.com**