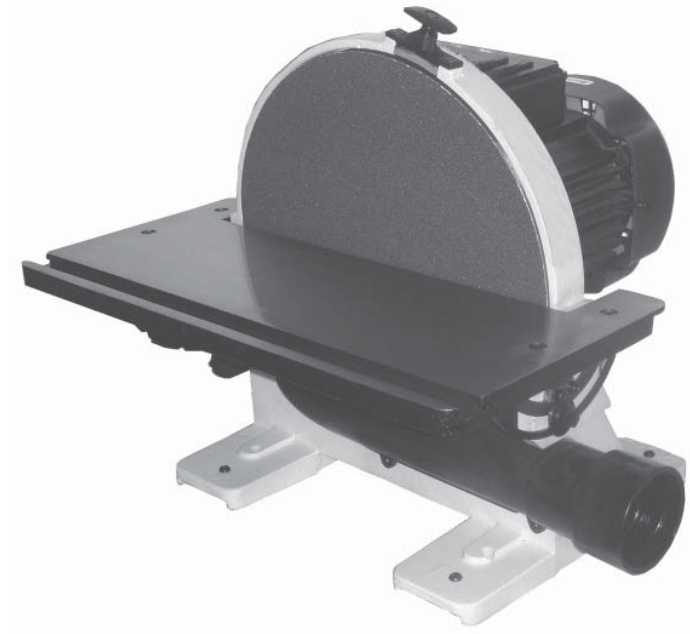


12" Disc Sander

Model: 51-200

RIKON

POWER TOOLS



Parts List

Record the serial number and date of purchase
in your manual for future reference.

Serial number: _____

Date of purchase: _____

For more information:

www.rikontools.com or info@rikontools.com

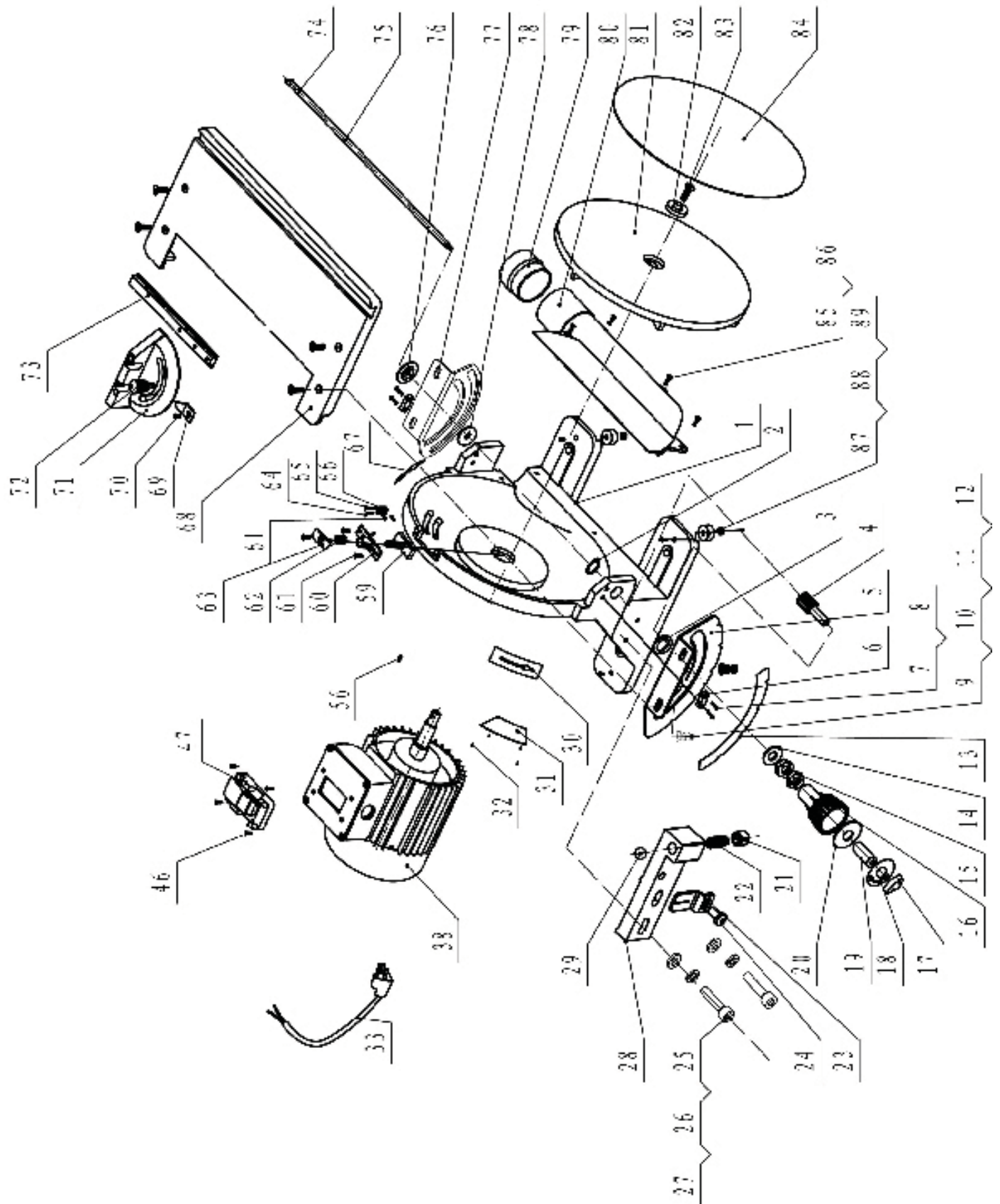
For Parts or Questions:

techsupport@rikontools.com or 877-884-5167

Parts List

Key No.	Part No.	Description	Key No.	Part No.	Description
1	JL63011001	Base	59	JL63012100	Brake Asm.
2	CLP17GB894D1B	Retaining ring	60	JL63012001	Brake bracket
3	JL63020003	Washer	61	M4X8GB70D3B	Screw
4	JL63022001	Gear shaft	62	JL63012002	Brake spring
5	JL63021002	Front trunnion	63	JL63012003	Brake lever
6	JL63011003	Guide block	64	WRN2D5GB5356B	L wrench 2.5
7	M5X20GB70D1B	Bolt	65	WRN4GB5356B	L wrench 4
8	WSH5GB93B	Spring washer	66	JL63011004	Tool holder
9	M6X20GB70D3B	Screw	67	JL63070003	Nameplate
10	WSH6GB63D1B	Washer	68	JL63021001	Table
11	WSH6GB93B	Spring washer	69	JL60040004	Pointer
12	M6GB6170B	Hex nut	70	M5X6GB818B	Screw
12	JL63070004	Scale	71	JL22062001	Miter gauge body
14	WSH10GB96D1B	Washer	72	JL60040003	Lock knob
15	M10GB6170B	Hex nut	73	JL63040001	Guide block
16	JL63022002	Adjusting handle	74	SLG5X1D8GB3452D1	"O" rubber ring
17	JL63022005	Lock knob	75	JL63020001	Lock shaft
18	JL63070005	Lock label	76	JL63020002	Washer
19	JL63022004	Adjusting tube	77	JL63021003	Rear trunnion
20	JL63022003	Handle cap	78	WSH6GB96D1B	Washer
21	M10X8GB77B	Set screw	79	JL63010006	Dust port
22	JL63010002	Spring	80	JL63010005	Plastic shield
23	JL63010004	Pointer	81	JL63010007	Disc body
24	M5X10GB818B	Screw	82	JL63010008	Washer
25	M6X25GB70D1B	Bolt	83	M6X16GB70D3B	Screw
26	WSH6GB95B	Washer	84	JL63010009	Sand paper
27	WSH6GB93B	Spring washer	85	M5X16GB818B	Pan head screw
28	JL63010001	Mounting base	86	WSH5GB862D2B	Dentiform washer
29	JL63010003	Ball 8mm	87	M6X16GB818B	Pan head screw
30	JL63070002	Rotate label	88	JL63011002	Rubber washer
31	JL63070001	Warning label	89	M6GB6172B	Hex. Nut
32	RVT2X6GB827	Rivet			
33	U2318200-411	Cable			
38	JL63030004	Motor			
46	ST3D5X16GB845Z	Screw			
47	HY18-32	Switch			
56	PLN5X5X25GB1096	Key			

Parts Explosion



RIKON

POWER TOOLS

2-Year Limited Warranty

RIKON Power Tools/Richen Enterprise, Inc. (“Seller”) warrants to only the original retail consumer/purchaser of our products that each product be free from defects in materials and workmanship for a period of two (2) years from the date the product was purchased at retail. This warranty may not be transferred.

This warranty does not apply to defects due directly or indirectly to misuse, abuse, negligence, accidents, repairs, alterations, lack of maintenance or normal wear and tear. Under no circumstances will Seller be liable for incidental or consequential damages resulting from defective products. All other warranties, expressed or implied, whether of merchantability, fitness for purpose, or otherwise are expressly disclaimed by Seller. This warranty does not cover products used for commercial, industrial or educational purposes.

This limited warranty does not apply to accessory items such as blades, drill bits, sanding discs or belts and other related items.

Seller shall in no event be liable for death, injuries to persons or property, or for incidental, contingent, special, or consequential damages arising from the use of our products.

To take advantage of this warranty proof of purchase documentation, which includes date of purchase and an explanation of the complaint, must be provided.

The Seller reserves the right to effect at any time, without prior notice, those alterations to parts, fittings, and accessory equipment which they may deem necessary for any reason whatsoever.

To take advantage of this warranty, please fill out the enclosed warranty card and send it to:
RIKON Warranty
110 Cummings Park
Woburn, MA 01801

The card must be entirely completed in order for it to be valid. If you have any questions please contact us at 877-884-5167 or warranty@rikontools.com.



**For more information:
110 Cummings Park
Woburn, MA 01801**

**877-884-5167/781-933-8400
techsupport@rikontools.com
www.rikontools.com**