

2HP Dust Collector

Model: 60-200

RIKON

POWER TOOLS



Record the serial number and date of purchase
in your manual for future reference.

Serial number: _____

Date of purchase: _____

For more information:

www.rikontools.com or info@rikontools.com

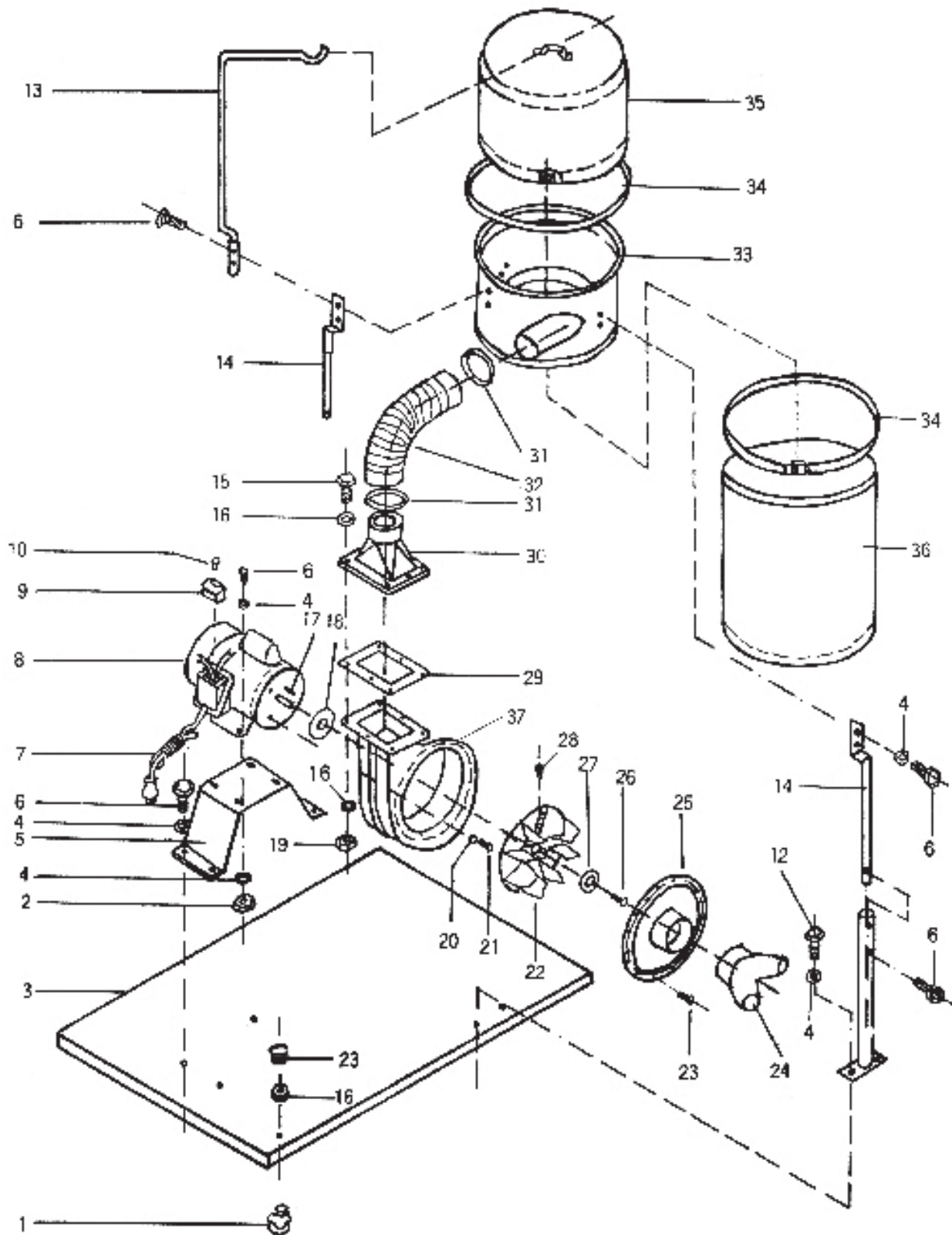
For Parts or Questions:

techsupport@rikontools.com or 877-884-5167

Parts List

Key No.	Description	Key No.	Description
1	Caster	21	Screw
3	Base plate	22	Impeller
4	Flat washer	23	Cap head nut
5	Motor base	24	Inlet
6	Hex bolt	25	Fan housing cover
7	Motor cable	26	Screw
8	Motor	27	Flat washer
9	Switch body	28	Hex bolt
10	Center key	29	Rubber gasket
13	Upper bag support	30	5" Outlet
14	Collector support	31	Hose clamp
15	Hex bolt	32	5" Hose
16	Hex nut	33	Collector
17	Key	34	Strap
18	Fan washer	35	Filter bag
20	Flat washer	36	Dust bag
		37	Fan housing

Parts Explosion



RIKON POWER TOOLS

2-Year Limited Warranty

RIKON Power Tools/Richen Enterprise, Inc. (“Seller”) warrants to only the original retail consumer/purchaser of our products that each product be free from defects in materials and workmanship for a period of two (2) years from the date the product was purchased at retail. This warranty may not be transferred.

This warranty does not apply to defects due directly or indirectly to misuse, abuse, negligence, accidents, repairs, alterations, lack of maintenance or normal wear and tear. Under no circumstances will Seller be liable for incidental or consequential damages resulting from defective products. All other warranties, expressed or implied, whether of merchantability, fitness for purpose, or otherwise are expressly disclaimed by Seller. This warranty does not cover products used for commercial, industrial or educational purposes.

This limited warranty does not apply to accessory items such as blades, drill bits, sanding discs or belts and other related items.

Seller shall in no event be liable for death, injuries to persons or property, or for incidental, contingent, special, or consequential damages arising from the use of our products.

To take advantage of this warranty proof of purchase documentation, which includes date of purchase and an explanation of the complaint, must be provided.

The Seller reserves the right to effect at any time, without prior notice, those alterations to parts, fittings, and accessory equipment which they may deem necessary for any reason whatsoever.

To take advantage of this warranty, please fill out the enclosed warranty card and send it to:
RIKON Warranty
110 Cummings Park
Woburn, MA 01801

The card must be entirely completed in order for it to be valid. If you have any questions please contact us at 877-884-5167 or warranty@rikontools.com.

Notes



**For more information:
110 Cummings Park
Woburn, MA 01801**

**877-884-5167/781-933-8400
techsupport@rikontools.com
www.rikontools.com**