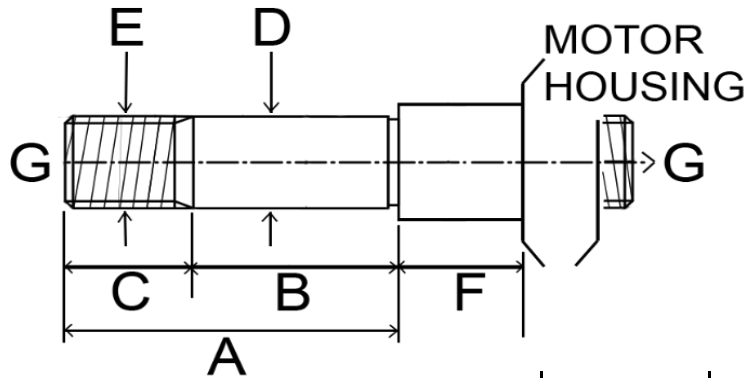


RIKON Grinder & Buffer Spindle / Arbor Specifications



Dimensions in Millimeters

#	Description	Total Arbor Length A	Product Arbor Length B	Threaded Arbor Length C	Arbor Diameter D	Nut / Arbor Thread E	Extended Spindle Length Out From Housing F	Machine's End-to-End Spindle Length G
80-805	1/2HP 8" Bench Grinder	52	32	20	15.88	M16	n/a	360.5
80-808	1HP 8" Bench Grinder	61	41	20	15.88	M16	n/a	450
80-800VS	3/4HP 8" VS Bench Grinder	52	34	18	15.88	M16	n/a	376
81-600	6" Buffer	55	29	26	12.7	M12	30	458
81-608	8" Long Shaft Buffer	55	29	26	15.88	M16	83.5	570